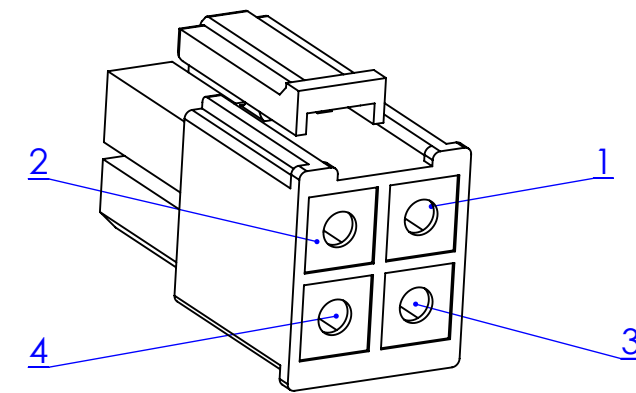
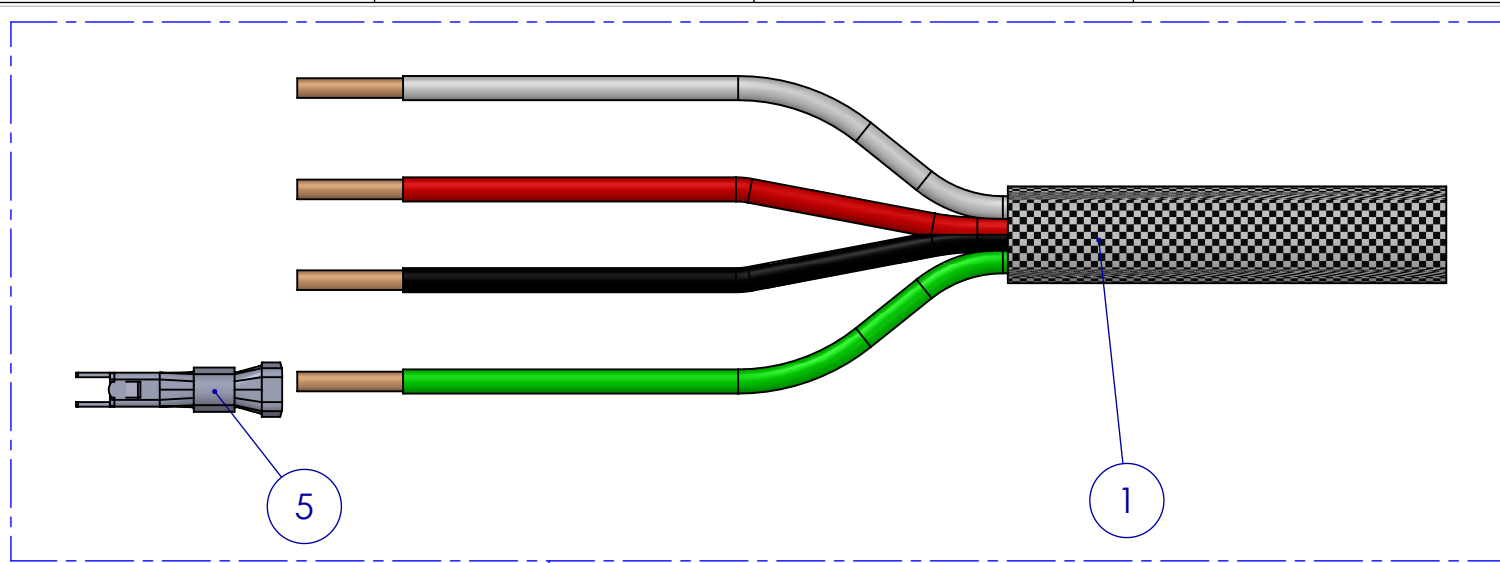
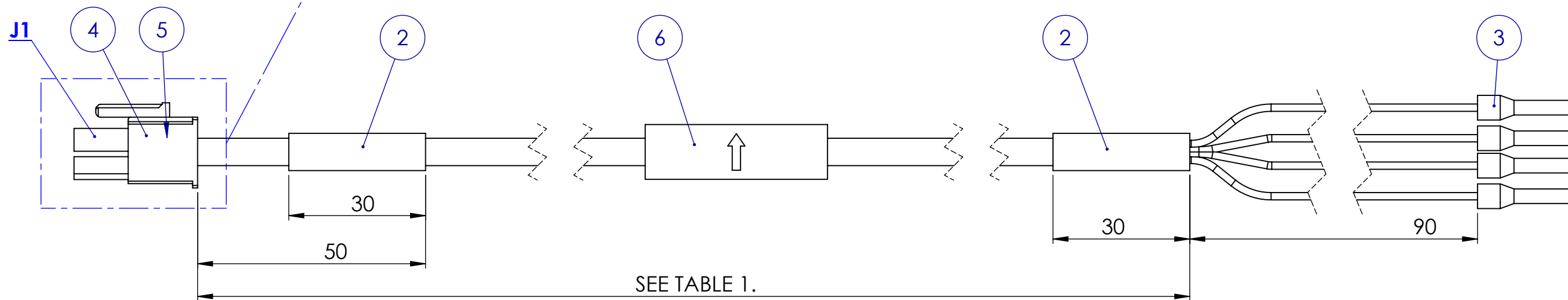


ECO NO.	REV.
ECO 07824	A
ECO-08281	B



**J1 RARE VIEW**



FROM J1	TO	SIGNAL	COLOR
1	ENDING FERRULE	M1	WHITE
2	ENDING FERRULE	M2	RED
3	ENDING FERRULE	M3	BLACK
4	ENDING FERRULE	PE	GREEN

TABLE 1		
ELMO P/N	LENGTH, meters	LABEL
CBL-PML40L60	2.0 m	CBL-PML40L60
CBL-PML40L60-5	5.0 m	CBL-PML40L60-5

ITEM NO.	PART NUMBER	DESCRIPTION	Default/QTY.
1	WIP-024X18	CABLE 4X18AWG,90% BRAID,600V Weico P/N - 5418 (Preferred) (Teflon 200deg) Weico P/N - 6418 (Alternative) (PVC 105deg)	SEE TABLE 1.
2	STB-26350	BLACK SRINK 1/4"	60 mm.
3	JCF-031516G0	ENDING FERRULE 16#	4
4	JCW-122304M	CONN. CRIMP HOUSING MALE 2X2PINS P=6.2MM	1
5	JCW-1223CF	CRIMP FEMALE 20-24AWG FOR CONNECTOR HOUSING	4
6	LABEL	CBL-PML40L60	1

ALL DIMENSIONS ARE IN MM.	RoHS Compliance				
		NAME	SIG	DATE	TITLE
DO NOT MEASURE THE DRAWING. ALL DIMENSIONS BEFORE COATING.	DRAWN	A.C.		21/08/2014	Motor CBL, Flying Leads, 12A
	DESIGN	RamiCh		21/08/2014	
FILE NAME: MD-00636B.sldprt	CHECK				SIZE A3
	APVD.	-			SCALE 1:1
					DWG. NO. MD-00636
					REV. B
					CAT. NO. CBL-PML40L60
					PAGE: 1 OF: 2