

ECO NO.	REV.
ECO -07893	A
ECO-08217	B

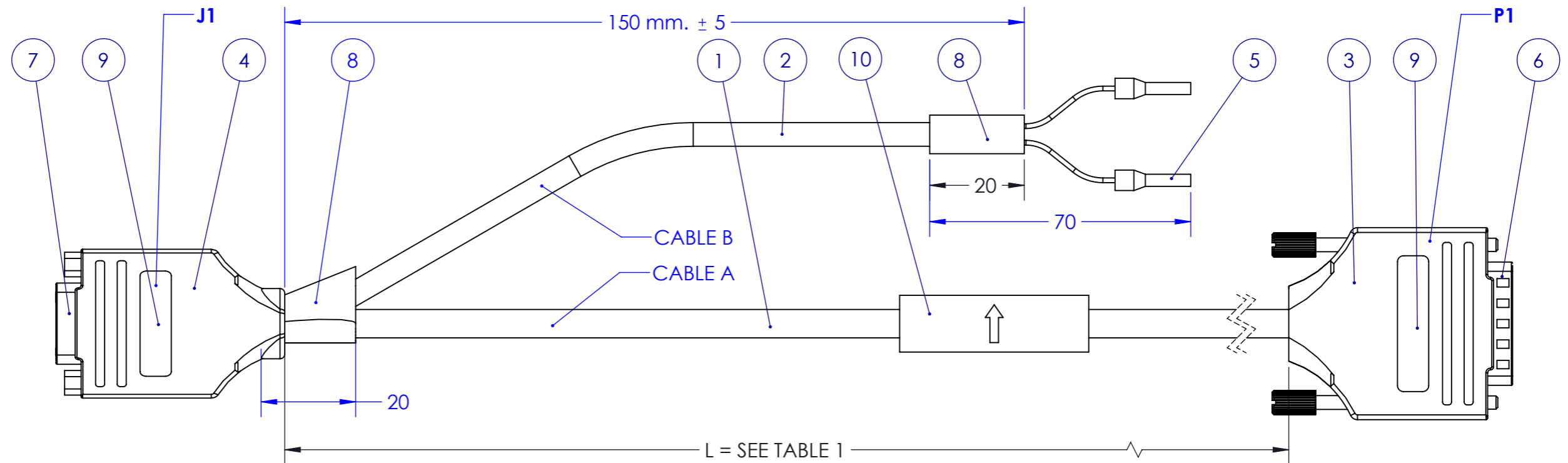
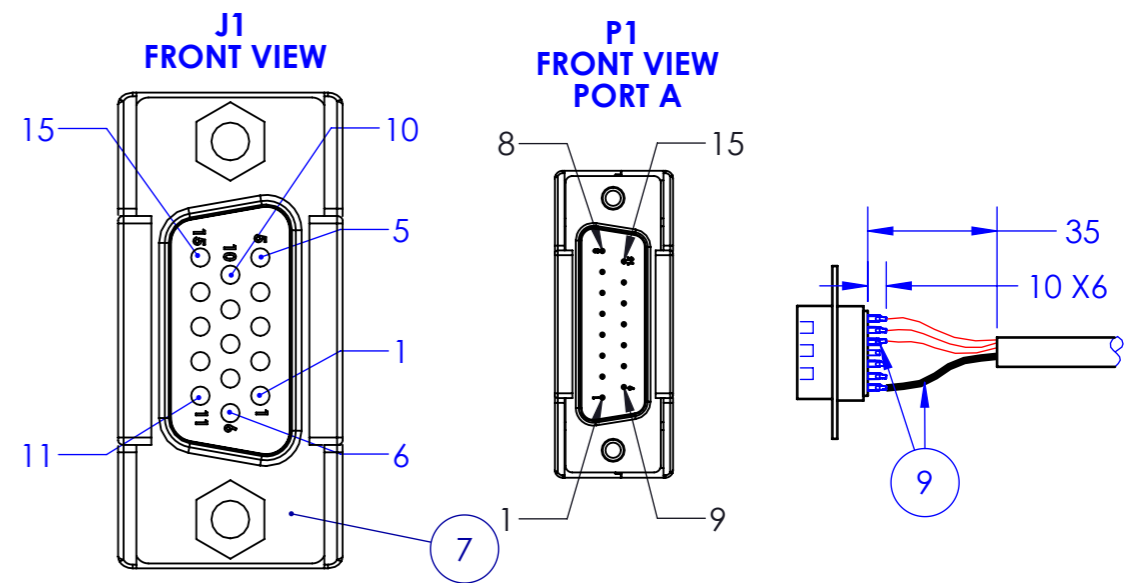


TABLE 1

ELMO P/N	LENGHT IN METERS	LABEL
CBL-DABSENCL40	2.0	CBL-DABSENCL40
CBL-DABSENCL40-5	5.0	CBL-DABSENCL40-5

	FROM: MOTOR ENCODER J1	TO: PORT A P1	WIRE / COLOR	TWISTED & SHIELDED WIRE	SIGNAL	DESCRIPTION
CABLE A	9	15	BROWN	PAIR 1	SD +	ABS - DATA +
	14	14	WHITE		SD -	ABS - DATA -
	1	4	GREEN	PAIR 2	VCC + 5V	SUPPLY RETURN
	2	13	YELLOW		COMRET	ENCODER SUPPLY +5V
	3	11	DRAIN WIRE	DRAIN WIRE	COMRET	
CABLE B	4	ENDING FERRULE	RED	PAIR 1	VB	+ V BATTERY
	5	ENDING FERRULE	BLACK		COMRET	- V BATTERY



**NOTES:**

1. SOLDER THE WIRES TO J1 AND P1.
2. SHRINK WIRE AFTER SOLDERING WITH ITEM 9.
3. SHRINK DRAIN WIRES WITH ITEM 9.

ITEM NO.	PART NUMBER	DESCRIPTION	QTY.
1	WIP-062X2X28	CABLE CONTROL 2X2X28AWG SF/UTP 30V	SEE TABLE 1
2	WIP-061X2X28	CABLE CONTROL 1X2X28AWG SF/UTP 30V	150 mm.
3	JCC-200515OC	METAL HOOD D TYPE 15 PIN	1
4	JCC-2003090C	HOOD 9 PIN METAL	1
5	JCF-031528G8	ENDING FERRULE 26AWG-28AWG GREY	2
6	JCW-200115MC	D TYPE CONNECTOR, 15 PIN MALE	1
7	JCW-200215F58	D TYPE 15 PIN HD FEM NUT=5.8	1
8	STB-26350	BLACK SRINK 1/4 "	40 mm.
9	STB-21170	BLACK SHRINK 3/64 "	170 mm.
10	LABEL	SEE TABLE 1.	1

ALL DIMENSIONS ARE IN MM.	RoHS Compliance				
		NAME	SIG	DATE	TITLE
DO NOT MEASURE THE DRAWING.	DRAWN	A.C.		21/08/2014	CBL FDBK D sub- D sub/ Port A
ALL DIMENSIONS BEFORE COATING.	DESIGN	RamiCh		21/08/2014	
FILE NAME: MD-00641B.sldprt	CHECK				SIZE A3
	APVD.	-			SCALE 1:1
					DWG. NO. MD-00641
					REV. B
					CAT. NO. CBL-DABSENCL40
					PAGE: 1 OF: 1