

**Elmo's Gold Line**  
Our Best Ever Motion Solutions

# Gold Solo Whistle Cable Kit



September 2011 (Ver. 1.1)



[www.elmomc.com](http://www.elmomc.com)

---

## Notice

This guide is delivered subject to the following conditions and restrictions:

- This guide contains proprietary information belonging to Elmo Motion Control Ltd. Such information is supplied solely for the purpose of assisting users of the Gold Solo Whistle servo drive in assembling the required cables for their drive.
- The text and graphics included in this manual are for the purpose of illustration and reference only. The specifications on which they are based are subject to change without notice.
- Information in this document is subject to change without notice.



Elmo Motion Control and the Elmo Motion Control logo are registered trademarks of Elmo Motion Control Ltd.



EtherCAT® is a registered trademark and patented technology, licensed by Beckhoff Automation GmbH, Germany.

Document no. MAN-CBLKIT-GSOLWHI (Ver. 1.1)

Copyright © 2011

Elmo Motion Control Ltd.

All rights reserved.

## Catalog Number

CBL-GSOLWHIKIT01

## Revision History

**Ver. 1.0** Initial Release

**Ver. 1.1** Numerous changes in cable description tables

---

## Elmo Worldwide

### Head Office

#### Elmo Motion Control Ltd.

60 Amal St., P.O. Box 3078, Petach Tikva 49516  
Israel

Tel: +972 (3) 929-2300 • Fax: +972 (3) 929-2322 • [info-il@elmomc.com](mailto:info-il@elmomc.com)

### North America

#### Elmo Motion Control Inc.

42 Technology Way, Nashua, NH 03060  
USA

Tel: +1 (603) 821-9979 • Fax: +1 (603) 821-9943 • [info-us@elmomc.com](mailto:info-us@elmomc.com)

### Europe

#### Elmo Motion Control GmbH

Hermann-Schwer-Strasse 3, 78048 VS-Villingen  
Germany

Tel: +49 (0) 7721-944 7120 • Fax: +49 (0) 7721-944 7130 • [info-de@elmomc.com](mailto:info-de@elmomc.com)

### China

#### Elmo Motion Control Technology (Shanghai) Co. Ltd.

Room 1414, Huawen Plaza, No. 999 Zhongshan West Road, Shanghai (200051)  
China

Tel: +86-21-32516651 • Fax: +86-21-32516652 • [info-asia@elmomc.com](mailto:info-asia@elmomc.com)

### Asia Pacific

#### Elmo Motion Control

#807, Kofomo Tower, 16-3, Sunae-dong, Bundang-gu, Seongnam-si, Gyeonggi-do,  
South Korea

Tel: +82-31-698-2010 • Fax: +82-31-698-2013 • [info-asia@elmomc.com](mailto:info-asia@elmomc.com)

## *Table of Contents*

<b>Chapter 1: Introduction</b> .....	<b>5</b>
1.1. Cable Kit .....	5
<b>Chapter 2: Feedback Port A Cable (CBL-GPORTA-A2)</b> .....	<b>6</b>
<b>Chapter 3: Feedback Port B Cable (CBL-GPORTB-A2)</b> .....	<b>8</b>
<b>Chapter 4: Feedback Port C &amp; I/O Cable (CBL-GPORCIO-A2)</b> .....	<b>10</b>
<b>Chapter 5: STO Cable (CBL-GSTOCOM-A2)</b> .....	<b>12</b>
<b>Chapter 6: Aux Power Cable (CBL-GVLSNS-A2)</b> .....	<b>13</b>

## Chapter 1: Introduction

This document provides the wiring details for the cables used to connect the Gold Solo Whistle with the end-user application. The servo drive-side pinouts are provided in Chapter 3 of the drive's installation guide.

The cables come in one length: 2 meters (6 ½ feet).

### 1.1. Cable Kit

The Catalog number of the Gold Solo Whistle cable kit is: **CBL-GSOLWHIKIT01**

The cable kit includes the following cables:

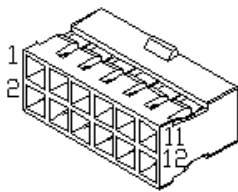
ELMO Part Number	Function
CBL-GPORTA-A2	Feedback port A
CBL-GPORTB-A2	Feedback port B
CBL-GPORTCIO-A2	Feedback port C and I/O
CBL-GSTOCOM-A2	STO
CBL-GVLSNS-A2	Auxiliary Power Cable

## Chapter 2: Feedback Port A Cable (CBL-GPORTA-A2)

The feedback port A cable is made from six-pair 24-AWG shielded twisted-pair cable. There is one type of feedback cable, which uses a 12-pin Tyco 2 mm pitch plug to connect to the servo drive.

The feedback port A cable is open on the motor side so that it can be connected to customer-specific connectors.

The general pinout of the feedback port A cable is as follows:

Pin No.	Signal	Color	Twisted & Shielded Wire	Plug
1	+5V	Brown	Pair	 <p><b>12-Pin Tyco 2 mm Pitch Plug</b></p>
2	SUPRET	White		
3	PortA_ENC_A+	Cyan	Pair	
4	PortA_ENC_A-	Orange		
5	PortA_ENC_B+	Purple	Pair	
6	PortA_ENC_B-	Black		
7	PortA_ENC_INDEX+	Red	Pair	
8	PortA_ENC_INDEX-	Blue		
9	HA	Green	Pair	
10	HB	Yellow		
11	HC	Pink	Pair	
12	PE	Drain Wire		

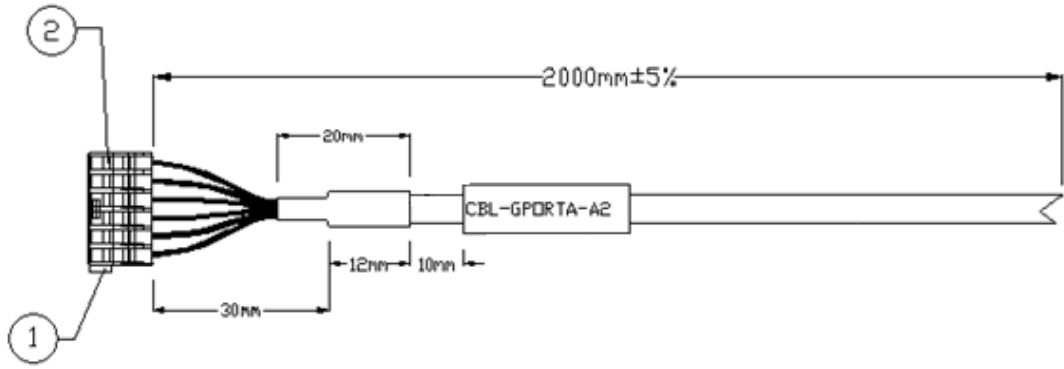


Figure 1: Feedback Port A Cable (CBL-GPORTA-A2)

Item	Quantity	Manufacturer	P/N	Description
1	1	Tyco	1-1470107-2	2x6, 2 mm pitch crimp terminal housing
2	12	Tyco	1470106-1	2.0 mm pitch crimp contact for 1470107

### Chapter 3: Feedback Port B Cable (CBL-GPORTB-A2)

The feedback port B cable is a four-pair 24-AWG shielded twisted-pair cable. It is connected using an 8-pin Tyco 2 mm pitch plug.

The cable is open on the motor side so that it can be connected to customer-specific connectors.

The general pinout of the auxiliary feedback cable is as follows:

Pin No.	Signal	Color	Twisted & Shielded Wire	Plug
1	+5V	Brown	Pair	 <b>8-Pin Tyco 2 mm Pitch Plug</b>
2	SUPRET	White		
3	PortB_ENC_A+/SIN+	Gray	Pair	
4	PortB_ENC_A-/SIN-	Pink		
5	PortB_ENC_B+/COS+	Green	Pair	
6	PortB_ENC_B-/COS-	Yellow		
7	PortB_ENC_INDEX+/Analog_Index+	Red	Pair	
8	PortB_ENC_INDEX-/Analog_Index-	Blue		

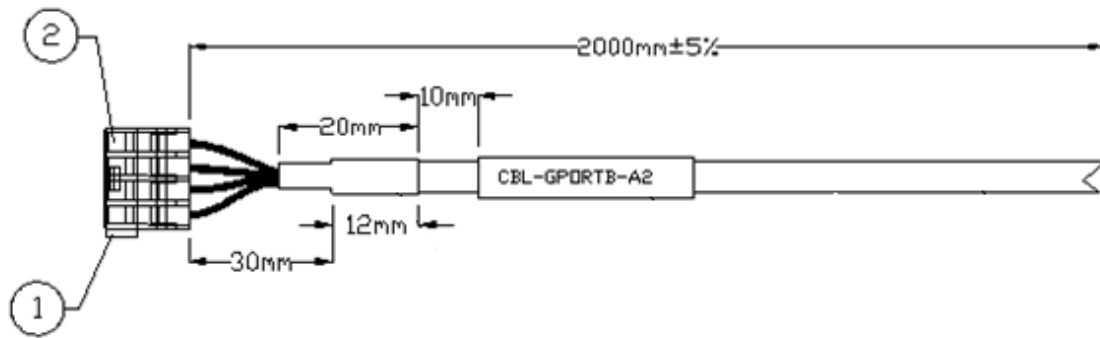


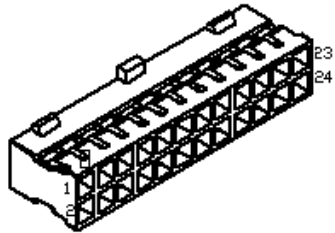
Figure 2: Feedback Port B Cable (CBL-GPORTB-A2)

Item	Quantity	Manufacturer	P/N	Description
1	1	Tyco	1470107-8	2x4, 2 mm pitch crimp terminal housing
2	8	Tyco	1470106-1	2.0 mm pitch crimp contact for 1470107

## Chapter 4: Feedback Port C & I/O Cable (CBL-GPORCIO-A2)

The feedback port C & IO cable is a 12-pair 24-AWG shielded twisted-pair cable. It is connected using a 24-pin Tyco 2 mm pitch plug. The cable is open on the motor side so that it can be connected to customer-specific connectors.

The general pinout of the port C & IO feedback cable is as follows:

Pin No.	Signal	Color	Twisted & Shielded Wire	Plug
1	PortC_ENCO_A+	Brown	Black	 <p>24-Pin Tyco 2 mm Pitch Plug</p>
2	PortC_ENCO_A-	White	Black	
3	PortC_ENCO_B+	Grey	Purple	
4	PortC_ENCO_B-	Pink	Purple	
5	PortC_ENCO_Index+	Green		
6	PortC_ENCO_Index-	Yellow		
7	COMRET	Red	White	
8	PE	Drain wire	White	
9	ANALOG1-	Green		
10	ANALOG1+	Yellow		
11	ANARET	Brown	Pair	
12	INRET1_6	White	Pair	
13	IN1	Cyan	Pair	
14	IN2	Purple	Pair	
15	IN3	Orange	Pair	
16	IN4	Black	Pair	
17	IN5_HS	Pink	Pair	
18	IN6_HS	Blue	Pair	
19	Reserved	Brown	Pair	
20	Reserved	White	Pair	
21	OUT2	Gray		
22	OUT1	Pink		
23	VDD	Green	Pair	
24	VDDRET	Yellow	Pair	

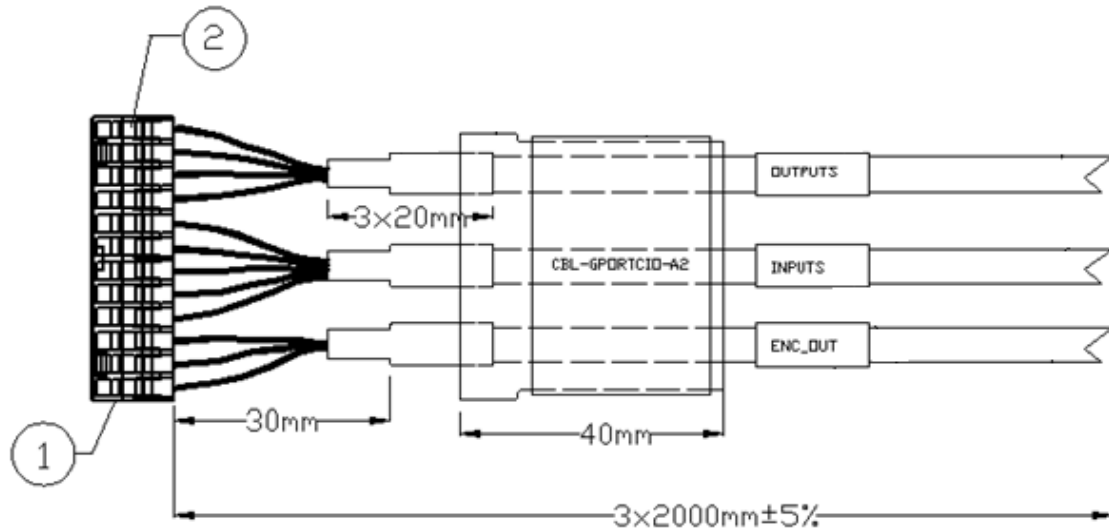


Figure 3: Feedback Port C&I/O Cable (CBL-GPORCIO-A2)

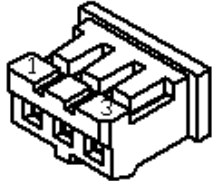
Item	Quantity	Manufacturer	P/N	Description
1	1	Tyco	2-1470107-4	2x12, 2 mm pitch crimp terminal housing
2	24	Tyco	1470106-1	2.0 mm pitch crimp contact for 1470107

## Chapter 5: STO Cable (CBL-GSTOCOM-A2)

The STO cable is a 24-AWG twisted-pair shielded cable. It is connected using a 3-pin Tyco 2 mm pitch plug.

The cable is open on the motor side so that it can be connected to customer-specific connectors.

The general pinout of the STO feedback cable is as follows:

Pin No.	Signal	Color	Twisted & Shielded Wire	Plug
1	STO1	Yellow	Pair	 3-Pin Tyco 2 mm Pitch Plug
2	STO2	Green		
3	STO_RET	White		

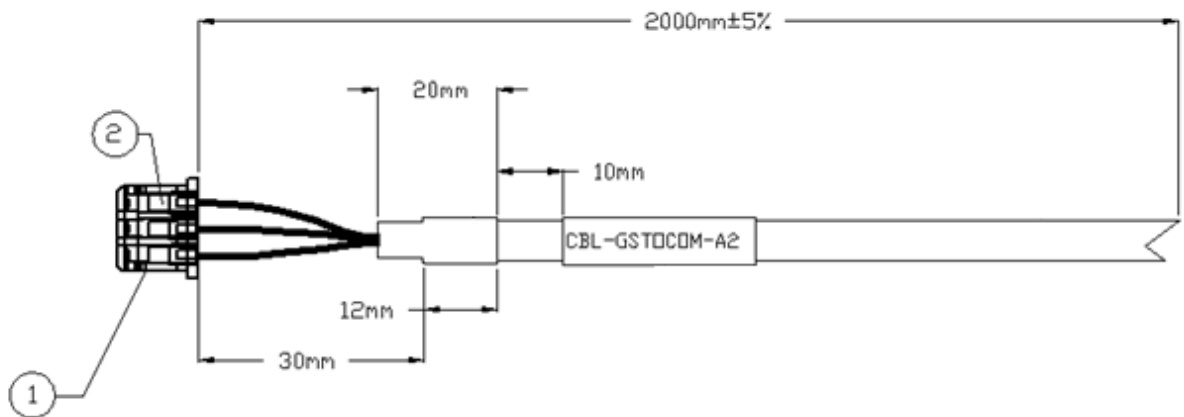


Figure 4: STO Cable (Part No. CBL-GSTOCOM-A2)


Item	Quantity	Manufacturer	P/N	Description
1	1	Tyco	6-440129-3	1×3, 2 mm pitch crimp terminal housing
2	3	Tyco	1735801-1	2.0 mm pitch crimp contact for 6-440129

## Chapter 6: Aux Power Cable (CBL-GVLSNS-A2)

The Aux Power cable is a 24-AWG twisted-pair shielded cable. It is connected using a 2-pin Tyco 2 mm pitch plug.

The cable is open on the motor side so that it can be connected to customer-specific connectors.

The general pinout of the auxiliary cable is as follows:

Pin No.	Signal	Color	Twisted & Shielded Wire	Plug
1	PR	Black	Pair	 2-Pin Tyco 2 mm Pitch Plug
2	VL+	Red		

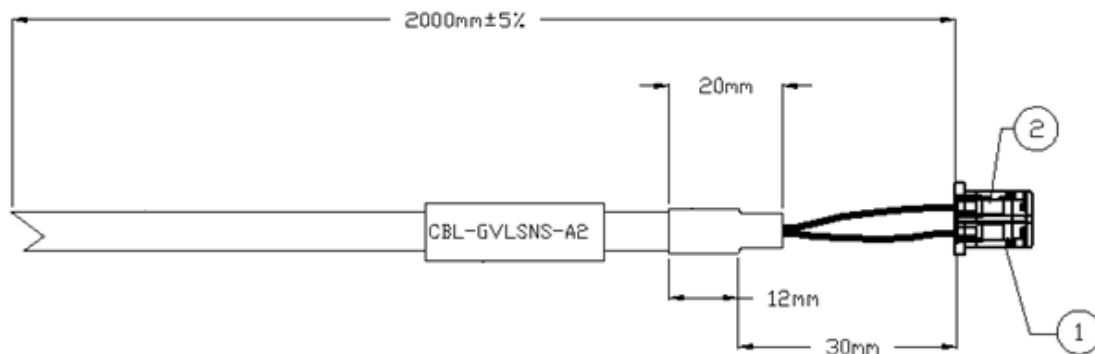


Figure 5: Auxiliary Power Cable (CBL-GVLSNS-A2)

Item	Quantity	Manufacturer	P/N	Description
1	1	Tyco	6-440129-2	1×2, 2 mm pitch crimp terminal housing
2	2	Tyco	1735801-1	2.0 mm pitch crimp contact for 6-440129