

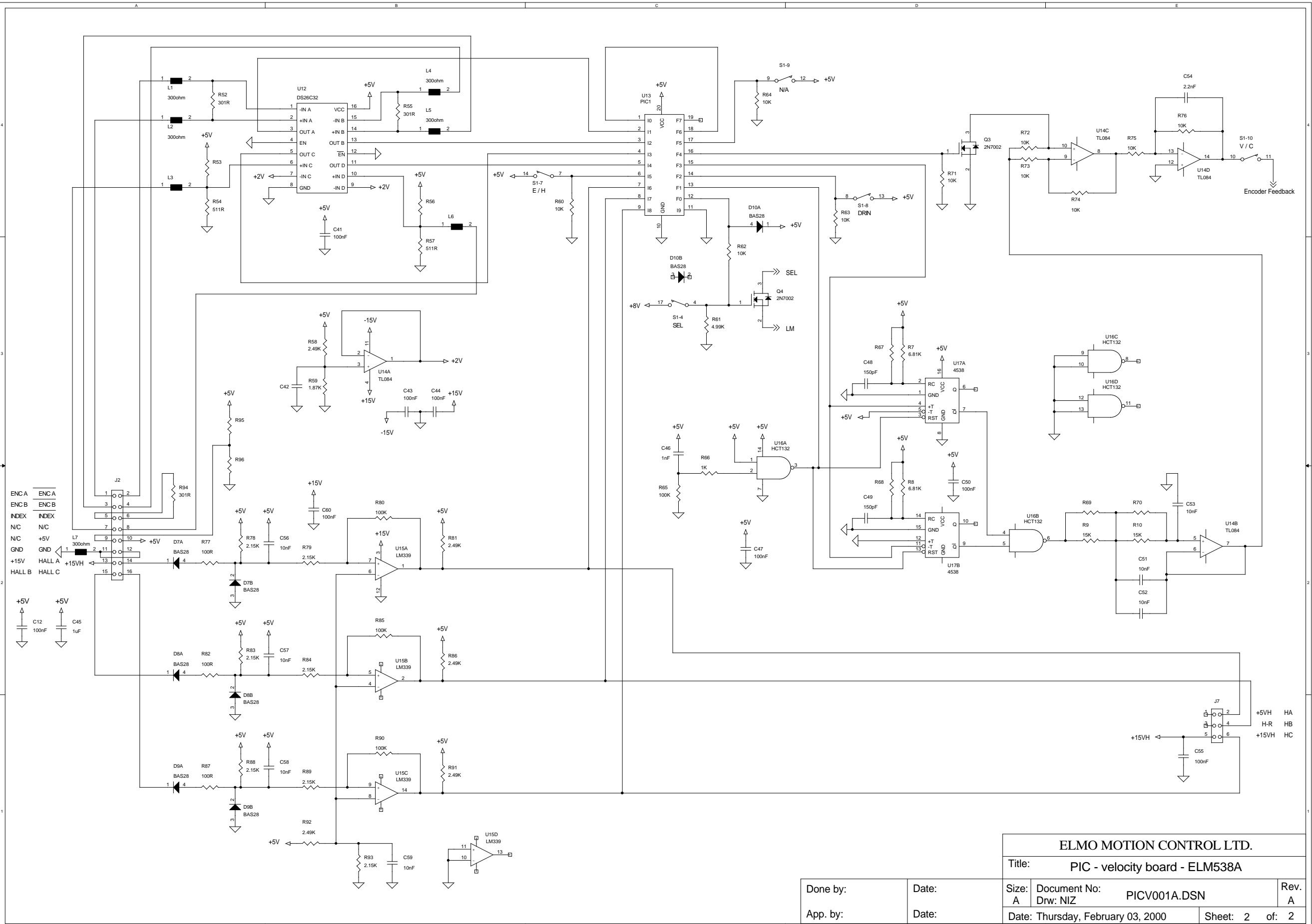
CREF1(-) CREF1(+)
 CREF2(-) CREF2(+)
 ECLC ECLP
 ECLRET OW
 CCW CCWRET
 CM CMRET
 EN+ EN-
 AOK AOKRET

CREF+ CREF-
 ECLC ECLP
 ECLRET CM
 CMRET CGC
 CGCRET CFM

SEL LM
 LMRET EN+
 SORRET EN-
 AOK SO1
 SO2 SO3

ELMO MOTION CONTROL LTD.			
Title:		PIC - velocity board - ELM538A	
Size:	Document No:	Rev.	
A	Drw: NIZ	A	
Date: Thursday, February 03, 2000		Sheet: 1	of: 2

Done by:
 App. by:
 Date:
 Date:



ENCA ENCA
 ENCB ENCB
 INDEX INDEX
 N/C N/C
 N/C N/C
 +5V +5V
 GND GND
 +15V HALL A
 HALL B HALL C

Encoder Feedback

+5VH HA
 +5VH HB
 +15VH HC

ELMO MOTION CONTROL LTD.			
Title: PIC - velocity board - ELM538A			
Size: A	Document No: PICV001A.DSN	Rev. A	
Date: Thursday, February 03, 2000	Sheet: 2	of: 2	

Done by: _____
 App. by: _____
 Date: _____
 Date: _____