

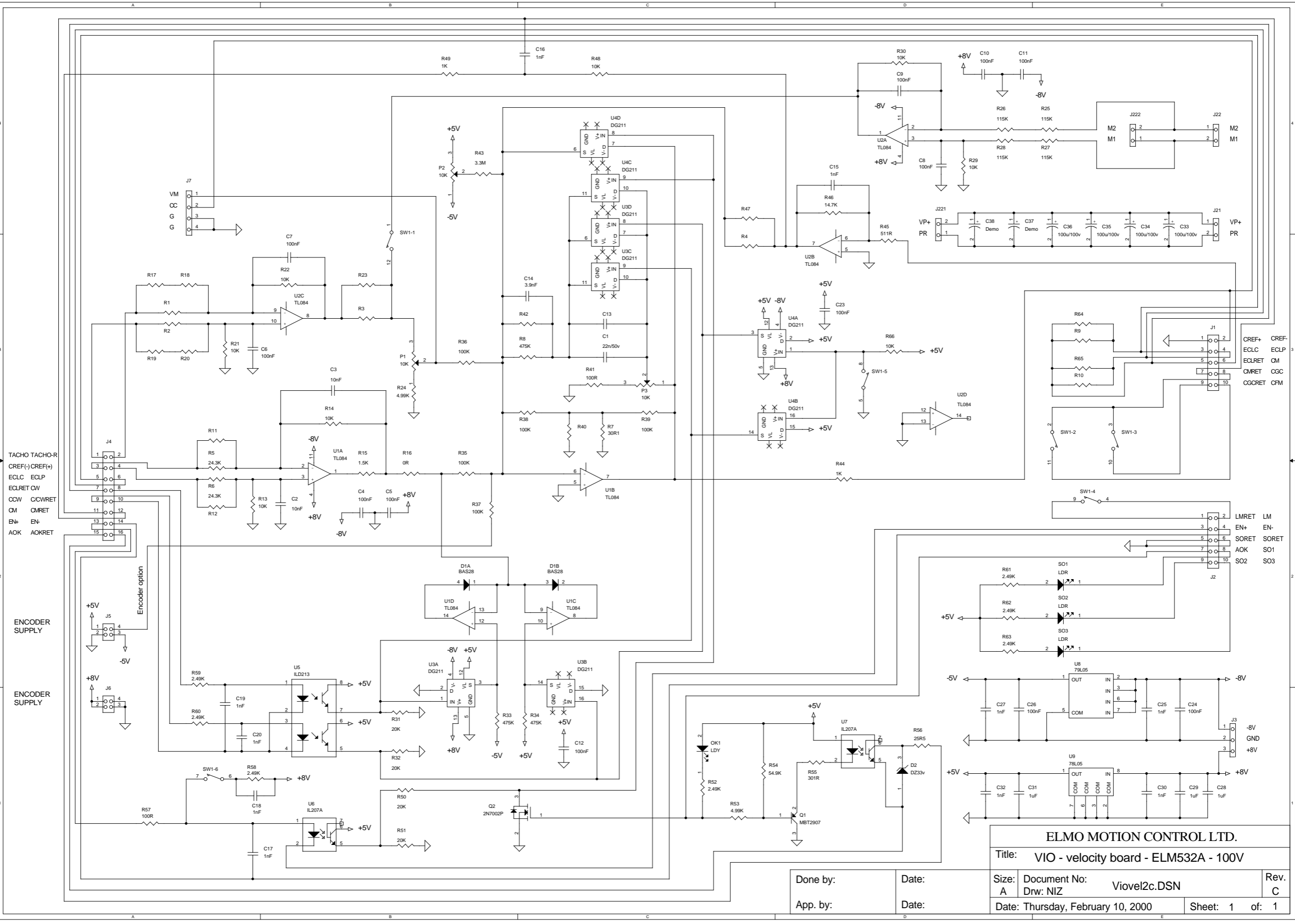
TACHO TACHO-R
 CREF(-) CREF(+)
 ECLC ECLP
 ECLRET CW
 CCW C/CWRET
 CM CMRET
 EN+ EN-
 AOK AOKRET

ENCODER SUPPLY
 +5V
 -5V
 +8V

ELMO MOTION CONTROL LTD.

Title: VIO - velocity board - ELM532A - 200V

Done by:	Date:	Size: A	Document No: Viovel1c.DSN	Rev. C
App. by:	Date:	Date: Thursday, February 10, 2000	Sheet: 1	of: 1



TACHO TACHO-R
 CREF(-) CREF(+)
 ECLC ECLP
 ECLRET OW
 CCW CWRET
 CM CMRET
 EN+ EN-
 AOK AOKRET

ENCODER SUPPLY
 +5V
 -5V
 +8V

CREF+ CREF-
 ECLC ECLP
 ECLRET OM
 CMRET CGC
 CGCRET CFM

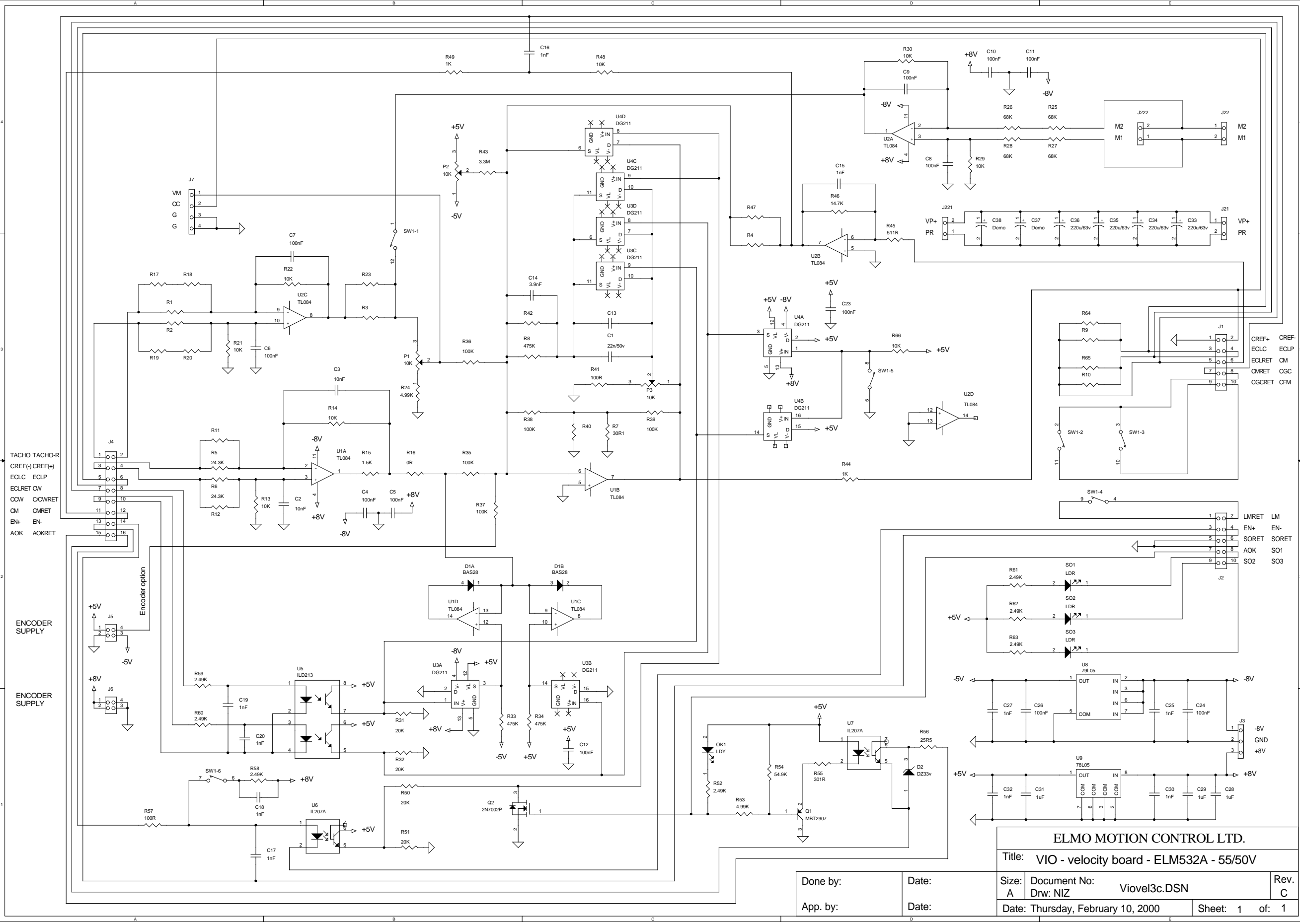
LMRET LM
 EN+ EN-
 SORRET SORRET
 AOK SO1
 SO2 SO3

ELMO MOTION CONTROL LTD.

Title: VIO - velocity board - ELM532A - 100V

Size: A	Document No: Viovel2c.DSN	Rev: C
Date: Thursday, February 10, 2000	Sheet: 1 of 1	

Done by: _____
 App. by: _____
 Date: _____
 Date: _____



TACHO TACHO-R
 CREFL(-) CREFL(+)
 ECLC ECLP
 ECLRET OW
 COW C/CWRET
 CM CMRET
 EN+ EN-
 AOK AOKRET

ENCODER SUPPLY
 ENCODER SUPPLY

CREFL+ CREFL-
 ECLC ECLP
 ECLRET CM
 CMRET CGC
 COWRET CFM

LMRET LM
 EN+ EN-
 SORRET SORRET
 AOK SO1
 SO2 SO3

ELMO MOTION CONTROL LTD.			
Title: VIO - velocity board - ELM532A - 55/50V			
Size: A	Document No: Viovel3c.DSN	Rev: C	
Date: Thursday, February 10, 2000	Sheet: 1	of: 1	

Done by:
 App. by:
 Date:
 Date: