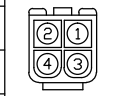


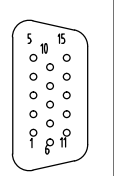
FUNCTION	COLOUR	
MOTOR U	YELLOW	AWG20
MOTOR V	RED	AWG20
MOTOR W BLACK	BLACK	AWG20
MOTOR PE	YELLOW/GREEN	AWG20



Housing:H66L6-04P
Terminal:T66L6-A

Connector Detail (Power Wire Cable diameter 6.5mm)

PIN	FUNCTION	COLOR		PIN	FUNCTION	COLOR	
1	VCC +5V	WHITE	AWG28	9	SD	BLUE	AWG28
2	GND	BLACK	AWG28	10	NC	NC	
3	shield			11	NC	NC	
4	VB	ORANGE	AWG28	12	NC	NC	
5	GND	BROWN	AWG28	13	NC	NC	
6	NC	NC		14	/SD	PURPLE	AWG28
7	NC	NC		15	NC	NC	
8	NC	NC					

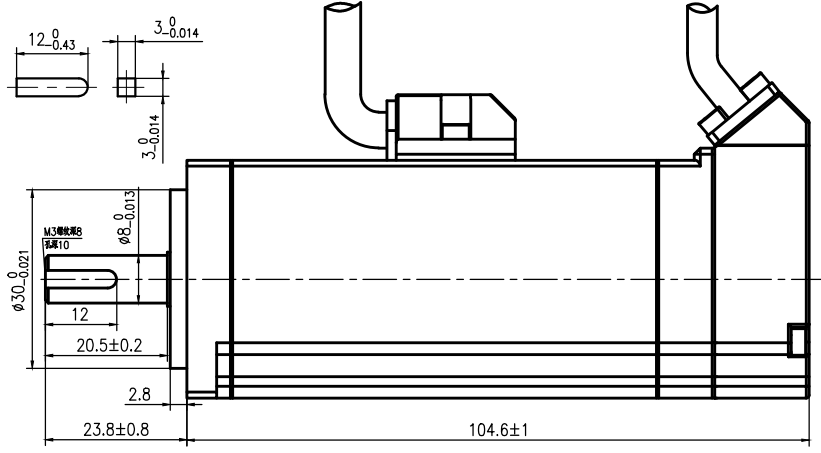
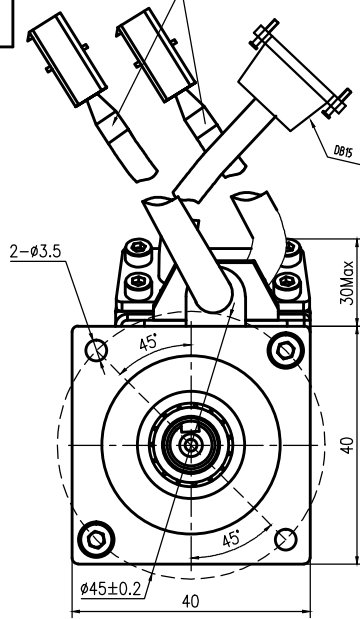


Connector Detail (Feedback Wire Cable diameter 5mm)

COLOUR	FUNCTION	
YELLOW	BRAKE(24V)+	AWG24
YELLOW	BRAKE(0V)-	AWG24



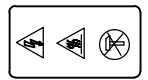
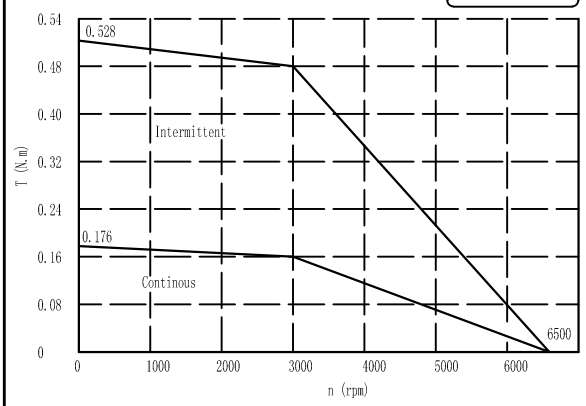
Connector Detail (Brake Wire Cable diameter 6mm)
L ≥ 300



Brake Data			
Mo	0.32Nm	Pw	5.9W
Voltage U _{bc}	24	Max speed	5000

Technical Data	
No. of poles	10
DC Link Voltage U _{bc} (DC Link)	48
Rated Power P _w (W)	50
Rated Torque T _w (N.m)	0.16
Rated Speed n _w (rpm)	3000
Rated Current I _w (A)	1.5
Maximum torque T _m (N.m)	0.48
Maximum Current I _m (A)	4.5
Standstill torque T _s (N.m)	0.176
Standstill current I _s (A)	1.65
Resistance line-line R _L (Ω)	4.1
Inductance line-line L _L (mH)	4.5
Electrical time constant τ _e (ms)	1.1
Mechanical time constant τ _m (ms)	1.17
Voltage constant K _e (V/krpm)	7
Torque constant K _t (Nm/A)	0.11
Rotor moment of inertia J _m (Kg.cm ²)	0.021
Max. voltage rising du/dt(KV/μs)	8
Insulation class	F
Max. radial force Fr(N)	120
Max. axial force Fa(N)	60
Weight(Kg)	0.6

Feed back device	MAR-MX50AHN00	
Temperature sensor	n.a.	
Cooling method	Totally enclosed non-ventilated	
protection level	IP65,shaft sealing IP54	
Environmental conditions	Temperature	-20℃~40℃
	Humidity	Below 90%RH (No dewing)
	Environment	Far away active gas,combustible gas,oil drop,ash.
Rating conditions	Installation altitude	UP TO 1000m-rated power, above 1000m:15% power decreasing per 100m,max.4000m
	Mounting	Aluminum flange 175x200x10mm
	Temperature	60K housing temperature ring at 40℃ ambient



Elmo DC BRUSHLESS MOTOR
L40-530A10ABL

W	50	V	48
A	1.5	Nm	0.16
RPM	3000	Ins	F
		IP	65

Holding brake 24V_{DC} M=0.32Nm

MADE For Elmo by Kinavo CHINA

S/N: *****KYDDNNNN

CE E505281

REV	DESCRIPTION	REV	ECN NO.	DESCRIPTION	DRN	APP'D	DATE	DESIGN	DATE	P.N.
								ZZB	20190114	
								CHECK		TITLE
								YJL	20190114	USED ON
								APPD		L40-530A10ABL
								SL	20190114	DWG NO.
										REV
										V2.0
										ELMO MOTOR
										SHEET OF