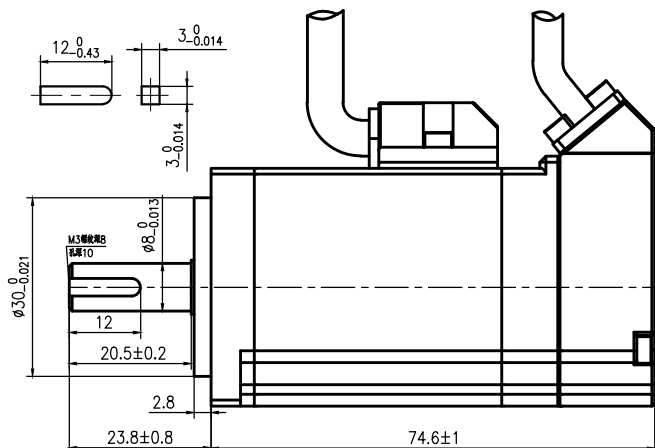


FUNCTION	COLOUR	
MOTOR U	YELLOW	AWG20
MOTOR V	RED	AWG20
MOTOR W BLACK	BLACK	AWG20
MOTOR PE	YELLOW/GREEN	AWG20

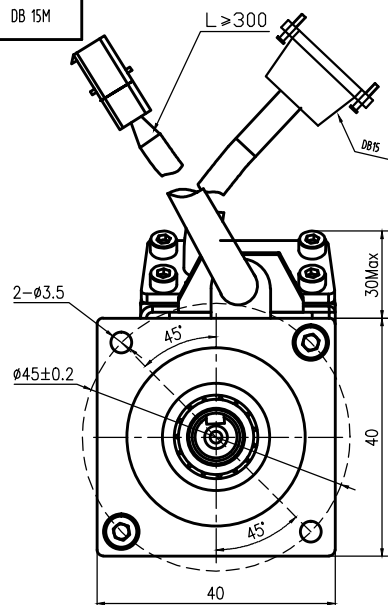
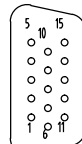


Housing:H66L6-04P  
Terminal:T66L6-A

Connector Detail (Power Wire Cable diameter 6.5mm)

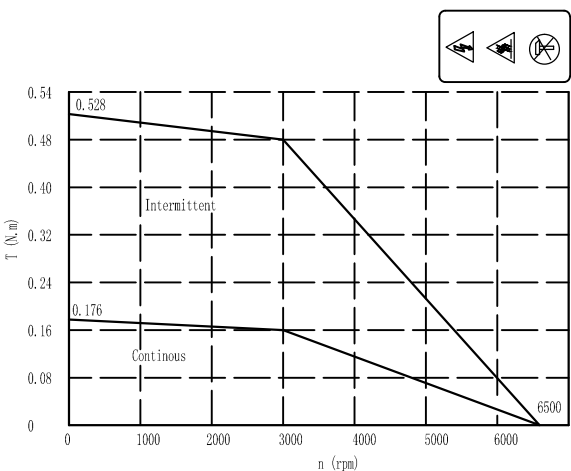


PIN	FUNCTION	COLOR		PIN	FUNCTION	COLOR	
1	VCC +5V	WHITE	AWG28	9	SD	BLUE	AWG28
2	GND	BLACK		10	NC	NC	
3	shield			11	NC	NC	
4	NC	NC		12	NC	NC	
5	NC	NC		13	NC	NC	
6	NC	NC		14	/SD	PURPLE	AWG28
7	NC	NC		15	NC	NC	
8	NC	NC					



Connector Detail (Feedback Wire Cable diameter 5mm)

Technical Data			
No. of poles	10		
DC Link Voltage $U_{dc}$ (DC Link)	300		
Rated Power $P_n$ (W)	50		
Rated Torque $T_n$ (N.m)	0.16		
Rated Speed $n_n$ (rpm)	3000		
Rated Current $I_n$ (A)	0.8		
Maximum torque $T_m$ (N.m)	0.48		
Maximum Current $I_m$ (A)	2.4		
Standstill torque $T_s$ (N.m)	0.176		
Standstill current $I_s$ (A)	0.88		
Resistance line-line $R_L$ ( $\Omega$ )	16.2		
Inductance line-line $L_L$ (mH)	18.5		
Electrical time constant $\tau_e$ (ms)	1.14		
Mechanical time constant $\tau_m$ (ms)	0.94		
Voltage constant $K_e$ (V/krpm)	14.0		
Torque constant $K_t$ (Nm/A)	0.232		
Rotor moment of inertia $J_m$ (Kg.cm <sup>2</sup> )	0.018		
Max. voltage rising $du/dt$ (KV/ $\mu$ s)	8		
Insulation class	F		
Max. radial force $F_r$ (N)	120		
Max. axial force $F_a$ (N)	60		
Weight(Kg)	0.4		
Feed back device	SAR-ML50AJC00		
Temperature sensor	n.a.		
Cooling method	Totally enclosed non-ventilated		
protection level	IP65,shaft sealing IP54		
Environmental conditions	Temperature	-20 $^{\circ}$ C~40 $^{\circ}$ C	
	Humidity	Below 90%RH (No dewing)	
	Environment	Far away active gas,combustible gas,oil drop,ash.	
Rating conditions	Installation altitude	UP TO 1000m-rated power, above 1000m:15% power decreasing per 100m,max.4000m	
	Mounting	Aluminum flange 175x200x10mm	
	Temperature	60K housing temperature ring at 40 $^{\circ}$ C ambient	
DESIGN	DATE	P.N.	307011207SS
ZZB	2019-01-14	TITLE	Outside Drawing
CHECK	2019-01-14	USED ON	L40-530210SNL
CONTR.	2019-01-14	DWG NO.	REV V2.0
YJL			
APPD			
S L			
FIRST ANGLE PROJECTION	SCALE	ELMO MOTOR	
	SHEET	OF	



Elmo  
MOTION CONTROL

DC BRUSHLESS MOTOR  
L40-530210SNL

W 50	V 300
A 0.8	Nm 0.16
RPM 3000	Ins F IP 65

MADE for Elmo by Kinovo CHINA

S/N: 307011207KYDDDDNNNN

CE  
E505281

REV	DESCRIPTION	REV	ECN NO.	DESCRIPTION	DRN	APP'D	DATE	DESIGN	DATE	P.N.
								ZZB	2019-01-14	307011207SS
				UNLESS OTHERWISE SPECIFIED				CHECK		TITLE
				TOLERANCES:	MATERIAL			YJL	2019-01-14	USED ON
				DECIMALS: .x $\pm 0.5$				APPD		L40-530210SNL
				ANGULAR: .xx $\pm 0.25$ $\pm 0^{\circ}30'$				S L	2019-01-14	DWG NO.
				.xxx $\pm 0.1$						REV V2.0
				UNIT: mm	FIRST ANGLE PROJECTION			SCALE		
				DO NOT SCALE DRAWING				SHEET		OF