

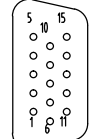
FUNCTION	COLOUR	AWG
MOTOR U	YELLOW	AWG20
MOTOR V	RED	AWG20
MOTOR W BLACK	BLACK	AWG20
MOTOR PE	YELLOW/GREEN	AWG20



Housing:H66L6-04P
Terminal:T66L6-A

Connector Detail (Power Wire Cable diameter 6.5mm)

PIN	FUNCTION	COLOR	AWG	PIN	FUNCTION	COLOR	AWG
1	VCC +5V	WHITE	AWG28	9	SD	BLUE	AWG28
2	GND	BLACK	AWG28	10	NC	NC	
3	shield			11	NC	NC	
4	VB	ORANGE	AWG28	12	NC	NC	
5	GND	BROWN	AWG28	13	NC	NC	
6	NC	NC		14	/SD	PURPLE	AWG28
7	NC	NC		15	NC	NC	
8	NC	NC					



DB 15M

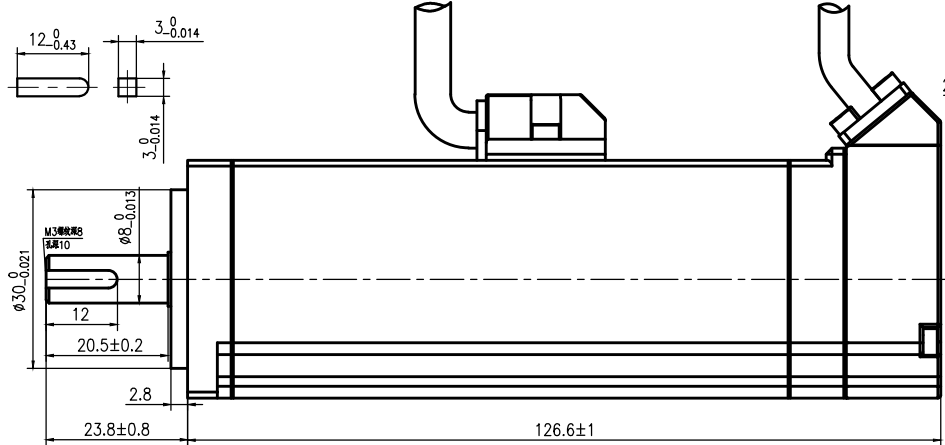
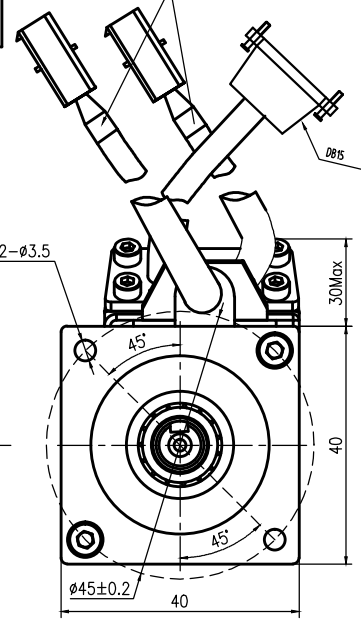
Connector Detail (Feedback Wire Cable diameter 5mm)

COLOUR	FUNCTION	AWG
YELLOW	BRAKE(24V)+	AWG24
YELLOW	BRAKE(0V)-	AWG24



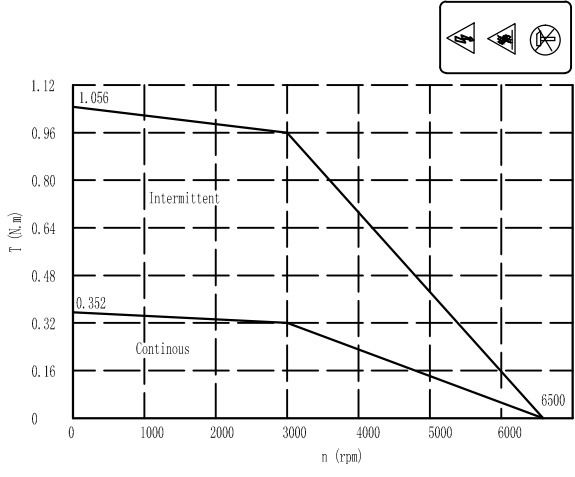
Housing:H66L6-02P
Terminal:T66L5-A

Connector Detail (Brake Wire Cable diameter 6mm)
L ≥ 300



Brake Data			
Mo	0.32Nm	Pw	5.9W
Voltage U _{bc}	24	Max speed	5000

Technical Data	
No. of poles	10
DC Link Voltage U _{bc} (DC Link)	300
Rated Power P _w (W)	100
Rated Torque T _w (N.m)	0.32
Rated Speed n _w (rpm)	3000
Rated Current I _w (A)	1.3
Maximum torque T _m (N.m)	0.96
Maximum Current I _m (A)	3.9
Standstill torque T _s (N.m)	0.352
Standstill current I _s (A)	1.43
Resistance line-line R _L (Ω)	7.9
Inductance line-line L _L (mH)	10.5
Electrical time constant τ _e (ms)	1.33
Mechanical time constant τ _m (ms)	0.88
Voltage constant K _e (V/krpm)	16.2
Torque constant K _t (Nm/A)	0.268
Rotor moment of inertia J _m (Kg.cm ²)	0.046
Max. voltage rising du/dt(KV/μs)	8
Insulation class	F
Max. radial force Fr(N)	120
Max. axial force Fa(N)	60
Weight(Kg)	0.77
Feed back device	MAR-MX50AHN00
Temperature sensor	n.a.
Cooling method	Totally enclosed non-ventilated
protection level	IP65,shaft sealing IP54



Elmo DC BRUSHLESS MOTOR
L40-1030210ABL

W 100	V 300
A 1.3	Nm 0.32
RPM 3000	Ins F TP 65

Holding brake:24V_{DC} N=0.32Nm

MADE for Elmo by Kinavro CHINA E505281

S/N: *****KYDDNNNN

REV	DESCRIPTION	REV	ECN NO.	DESCRIPTION	DRN	APP'D	DATE	DESIGN	DATE	P.N.
						ZZB	20190114			
		UNLESS OTHERWISE SPECIFIED		MATERIAL		CONTR.		CHECK		TITLE
		TOLERANCES:						YJL		Outside Drawing
		DECIMALS:		ANGULAR:				APPD		USED ON
		.x ±0.5		±0°30'				SL		L40-1030210ABL
		.xx ±0.25								DWG NO.
		.xxx ±0.1								REV
		UNIT: mm								V2.0
		DO NOT SCALE DRAWING								
				FIRST ANGLE PROJECTION		SCALE				ELMO MOTOR
						SHEET				
						OF				