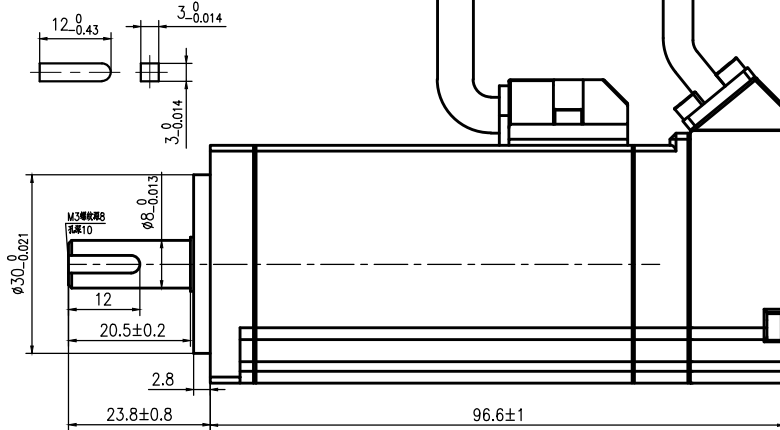


FUNCTION	COLOUR	
MOTOR U	YELLOW	AWG20
MOTOR V	RED	AWG20
MOTOR W BLACK	BLACK	AWG20
MOTOR PE	YELLOW/GREEN	AWG20

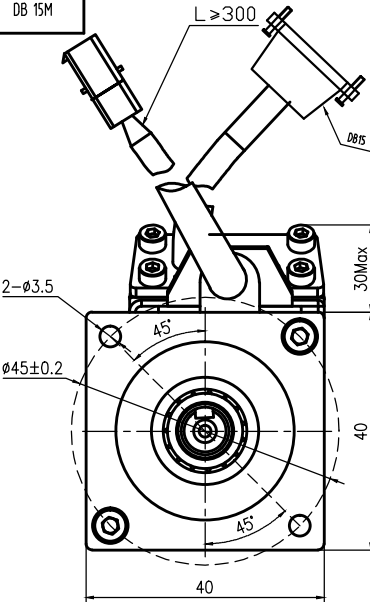
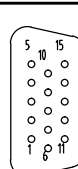


Housing:H66L6-04P  
Terminal:T66L6-A

Connector Detail (Power Wire Cable diameter 6.5mm)

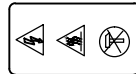
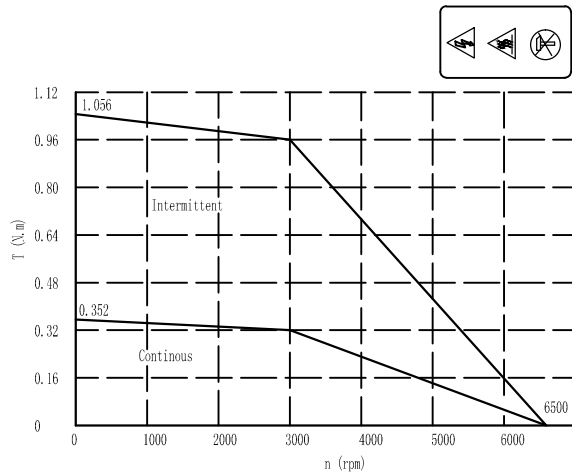


PIN	FUNCTION	COLOR		PIN	FUNCTION	COLOR	
1	VCC +5V	WHITE	AWG28	9	SD	BLUE	AWG28
2	GND	BLACK		10	NC	NC	
3	shield			11	NC	NC	
4	VB	ORANGE	AWG28	12	NC	NC	
5	GND	BROWN		13	NC	NC	
6	NC	NC		14	/SD	PURPLE	AWG28
7	NC	NC		15	NC	NC	
8	NC	NC					



Connector Detail (Feedback Wire Cable diameter 5mm)

Technical Data		
No. of poles	10	
DC Link Voltage $U_{dc}$ (DC Link)	300	
Rated Power $P_n$ (W)	100	
Rated Torque $T_n$ (N.m)	0.32	
Rated Speed $n_n$ (rpm)	3000	
Rated Current $I_n$ (A)	1.3	
Maximum torque $T_m$ (N.m)	0.96	
Maximum Current $I_m$ (A)	3.9	
Standstill torque $T_s$ (N.m)	0.352	
Standstill current $I_s$ (A)	14.3	
Resistance line-line $R_L$ ( $\Omega$ )	7.9	
Inductance line-line $L_L$ (mH)	10.5	
Electrical time constant $\tau_e$ (ms)	1.33	
Mechanical time constant $\tau_m$ (ms)	0.63	
Voltage constant $K_e$ (V/krpm)	16.2	
Torque constant $K_t$ (Nm/A)	0.268	
Rotor moment of inertia $J_m$ (Kg.cm <sup>2</sup> )	0.033	
Max. voltage rising $du/dt$ (KV/ $\mu$ s)	8	
Insulation class	F	
Max. radial force $F_r$ (N)	120	
Max. axial force $F_a$ (N)	60	
Weight(Kg)	0.57	
Feed back device	MAR-MX50AHN00	
Temperature sensor	n.a.	
Cooling method	Totally enclosed non-ventilated	
protection level	IP65,shaft sealing IP54	
Environmental conditions	Temperature	-20 $\circ$ C~40 $\circ$ C
	Humidity	Below 90%RH (No dewing)
	Environment	Far away active gas,combustible gas,oil drop,ash.
Rating conditions	Installation altitude	UP TO 1000m-rated power, above 1000m:15% power decreasing per 100m,max.4000m
	Mounting	Aluminum flange 175x200x10mm
	Temperature	60K housing temperature ring at 40 $\circ$ C ambient



**Elmo** DC BRUSHLESS MOTOR  
L40-1030210ANL

W 100	V 300
A 1.3	Nm 0.32
RPM 3000	Ins F IP 65

MADE for Elmo by Kinavo GHINA

S/N: 307011210KYYDDNNNN

CE E505281

REV	DESCRIPTION	REV	ECN NO.	DESCRIPTION	DRN	APP'D	DATE	DESIGN	DATE	P.N.
								ZZB	2019-01-14	307011210SS
								CHECK		Outside Drawing
								YJL	2019-01-14	L40-1030210ANL
								APPD		DWG NO.
								S L	2019-01-14	REV V2.0
								SCALE		ELMO MOTOR
								SHEET	OF	