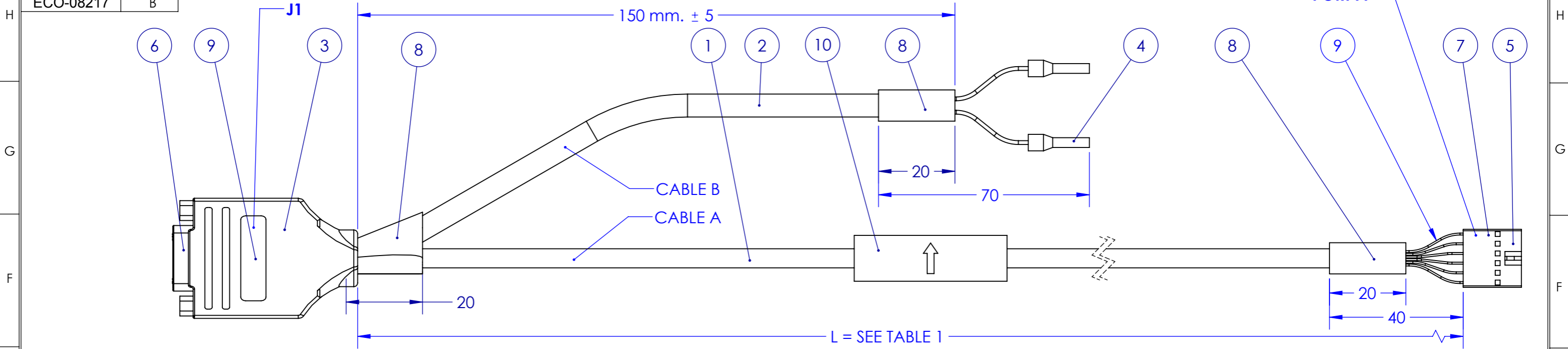
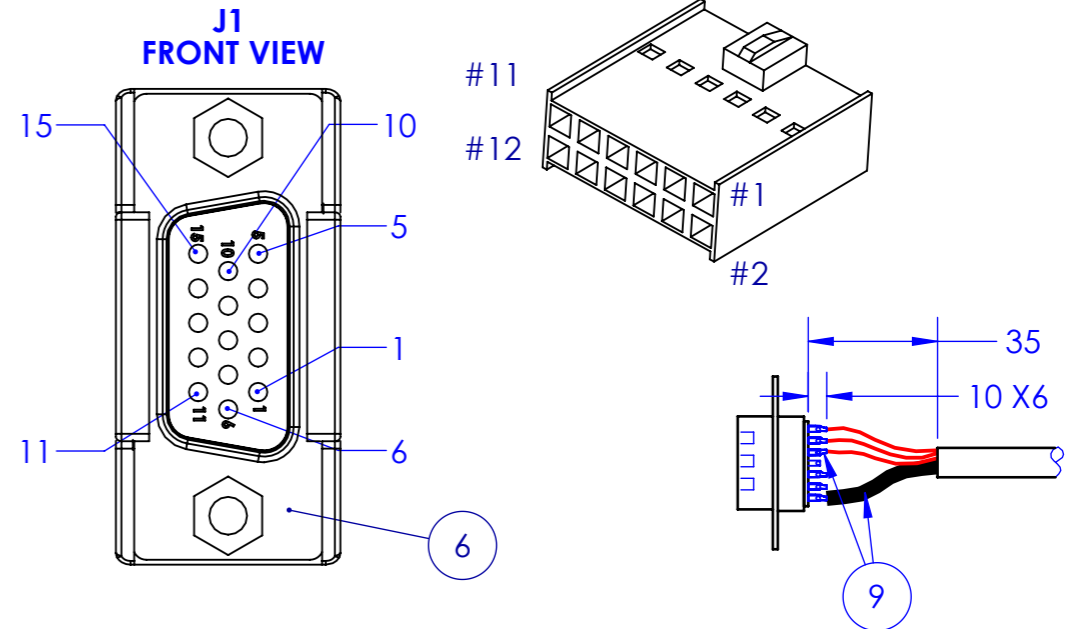


ECO NO.	REV.
ECO -07893	A
ECO-08217	B



ELMO P/N	LENGHT IN METERS	LABEL
CBL-MABSENCL40	2.0	CBL-MABSENCL40
CBL-MABSENCL40-5	5.0	CBL-MABSENCL40-5

	FROM: J1 MOTOR CON.	TO: PORT A MOLEX PIN NO.	COLOR	TWISTED & SHIELDED WIRE	SIGNAL	DESCRIPTION
CABLE A	9	5	BROWN	PAIR 1	SD+	ABS - DATA +
	14	6	WHITE		SD-	ABS - DATA -
	2	2	YELLOW	PAIR 2	COMRET	SUPPLY RETURN
	1	1	GREEN		+5V	ENCODER SUPPLY +5V
	3	12	DRAIN WIRE	DRAIN WIRE	PE	
CABLE B	4	ENDING FERRULE	RED	PAIR 1	VB	+ V BATTERY
	5	ENDING FERRULE	BLACK		-VB	- V BATTERY



NOTES:

1. SOLDER THE WIRES TO J1 AND P1.
2. SHRINK WIRE AFTER SOLDERING WITH ITEM 9.
3. SHRINK DRAIN WIRES WITH ITEM 9.

ITEM NO.	PART NUMBER	DESCRIPTION	QTY.
1	WIP-062X2X28	CABLE CONTROL 2X2X28AWG	SEE TABLE 1
2	WIP-061X2X28	CABLE CONTROL 1X2X28AWG	150 mm.
3	JCC-2003090C	HOOD 9 PIN METAL	1
4	JCF-031528G8	ENDING FERRULE 26AWG-28AWG GREY	2
5	JCW-104601FC	CRIMP TERMINAL 2.54 HOUSING	5
6	JCW-200215F58	D TYPE 15 PIN HD FEM NUT=5.8	1
7	JCW-105712FC	2.54mm CRIMP CONNECTOR HOUSING, 12 PINS DUAL ROW	1
8	STB-26350	BLACK SRINK 1/4 "	60 mm.
9	STB-21170	BLACK SHRINK 3/64 "	115 mm.
10	LABEL	SEE TABLE 1.	1

ALL DIMENSIONS ARE IN MM.	RoHS Compliance				
		NAME	SIG	DATE	TITLE
DO NOT MEASURE THE DRAWING. ALL DIMENSIONS BEFORE COATING.	DRAWN	A.C.		21/08/2014	CBL FDBK D sub- Molex/ Port A
	DESIGN	RamiCh		21/08/2014	
FILE NAME: MD-00640B.sldprt	CHECK				SIZE A3
	APVD.	-			SCALE 1:1
					DWG. NO. MD-00640
					REV. B
					CAT. NO. CBL-MABSENCL40
					PAGE: 1 OF: 1