

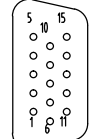
FUNCTION	COLOUR	AWG
MOTOR U	YELLOW	AWG20
MOTOR V	RED	AWG20
MOTOR W BLACK	BLACK	AWG20
MOTOR PE	YELLOW/GREEN	AWG20



Housing:H66L6-04P
Terminal:T66L6-A

Connector Detail (Power Wire Cable diameter 6.5mm)

PIN	FUNCTION	COLOR	AWG	PIN	FUNCTION	COLOR	AWG
1	VCC +5V	WHITE	AWG28	9	SD	BLUE	AWG28
2	GND	BLACK	AWG28	10	NC	NC	
3	shield			11	NC	NC	
4	VB	ORANGE	AWG28	12	NC	NC	
5	GND	BROWN	AWG28	13	NC	NC	
6	NC	NC		14	/SD	PURPLE	AWG28
7	NC	NC		15	NC	NC	
8	NC	NC					



DB 15M

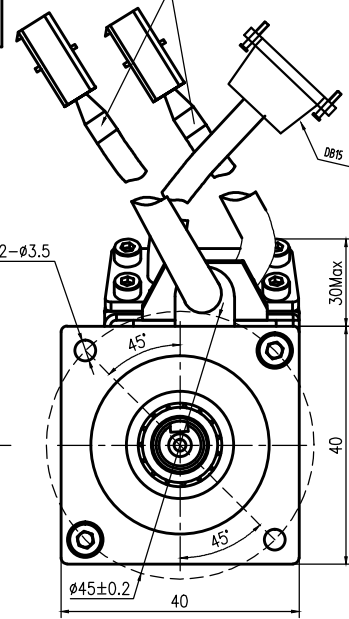
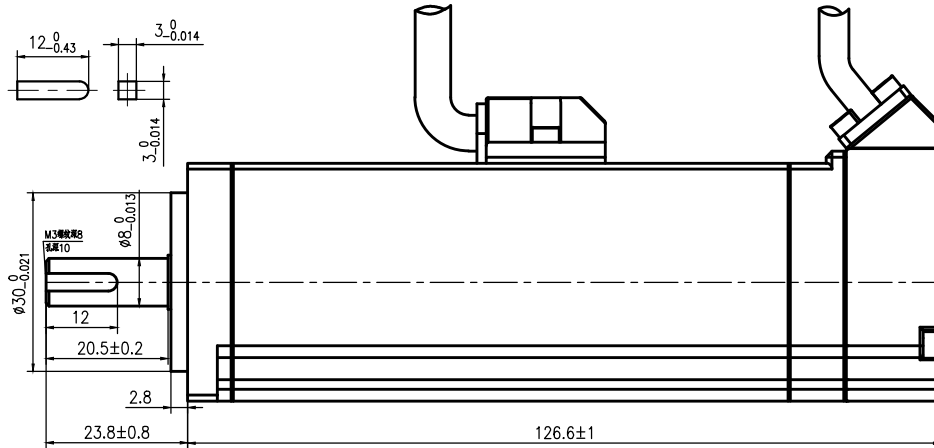
Connector Detail (Feedback Wire Cable diameter 5mm)

COLOUR	FUNCTION	AWG
YELLOW	BRAKE(24V)+	AWG24
YELLOW	BRAKE(0V)-	AWG24



Housing:H66L6-02P
Terminal:T66L5-A

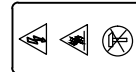
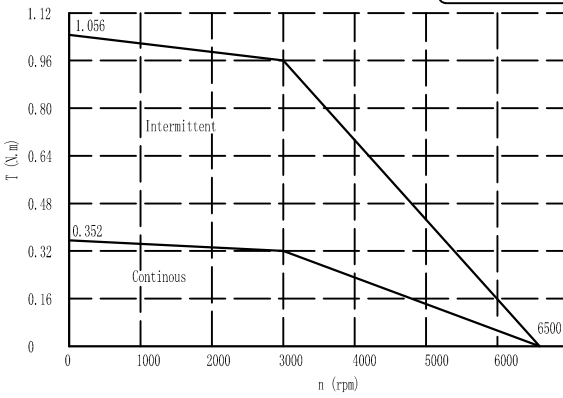
Connector Detail (Brake Wire Cable diameter 6mm)
L ≥ 300



Brake Data			
Mo	0.32Nm	Pw	5.9W
Voltage Ubc	24	Max speed	5000

Technical Data		
No. of poles		10
DC Link Voltage Ubc (DC Link)		48
Rated Power Pw(W)		100
Rated Torque Tw(N.m)		0.32
Rated Speed nw(rpm)		3000
Rated Current Iw(A)		3.2
Maximum torque Tm(N.m)		0.96
Maximum Current Im(A)		9.6
Standstill torque Ts(N.m)		0.352
Standstill current Is(A)		3.52
Resistance line-line Rl(Ω)		1.5
Inductance line-line Ll(mH)		1.9
Electrical time constant τe(ms)		1.27
Mechanical time constant τm(ms)		0.94
Voltage constant Ke(V/krpm)		7
Torque constant Kv(Nm/A)		0.11
Rotor moment of inertia Jm(Kg.cm ²)		0.046
Max. voltage rising du/dt(KV/μs)		8
Insulation class		F
Max. radial force Fr(N)		120
Max. axial force Fa(N)		60
Weight(Kg)		0.77

Feed back device	MAR-MX50AHN00	
Temperature sensor	n.a.	
Cooling method	Totally enclosed non-ventilated	
protection level	IP65,shaft sealing IP54	
Environmental conditions	Temperature	-20℃~40℃
	Humidity	Below 90%RH (No dewing)
	Environment	Far away active gas,combustible gas,oil drop,ash.
Rating conditions	Installation altitude	UP TO 1000m-rated power, above 1000m:15% power decreasing per 100m,max.4000m
	Mounting	Aluminum flange 175x200x10mm
	Temperature	60K housing temperature ring at 40℃ ambient



Elmo MOTOR CONTROL
DC BRUSHLESS MOTOR
L40-1030A10ABL

W	100	V	48
A	3.2	Nm	0.32
RPM	3000	Ins F	IP 65

Holding brake:24Vdc, M=0.32Nm
MADE for Elmo by Kinavo CHINA
S/N: *****KYYDDNNNN
E505281

REV	DESCRIPTION	REV	ECN NO.	DESCRIPTION	DRN	APP'D	DATE	DESIGN	DATE	P.N.
								ZZB	20190114	
UNLESS OTHERWISE SPECIFIED								MATERIAL	CONTR.	CHECK
TOLERANCES:										YJL
DECIMALS:										APPD
.x ±0.5										SL
.xx ±0.25										
.xxx ±0.1										
UNIT: mm								FIRST ANGLE PROJECTION	SCALE	
DO NOT SCALE DRAWING									SHEET	OF
TITLE Outside Drawing										
USED ON L40-1030A10ABL										
DWG NO. REV V2.0										
ELMO MOTOR										