

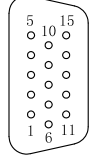
PIN	FUNCTION	COLOR	WIRE GAGE
1	MOTOR U	YELLOW	20AWG
2	MOTOR V	RED	
3	MOTOR W	BLACK	
4	MOTOR PE $\neq$	YELLOW/GREEN Shield	



Housing:H66L6-04P  
Terminal:T66L6-B

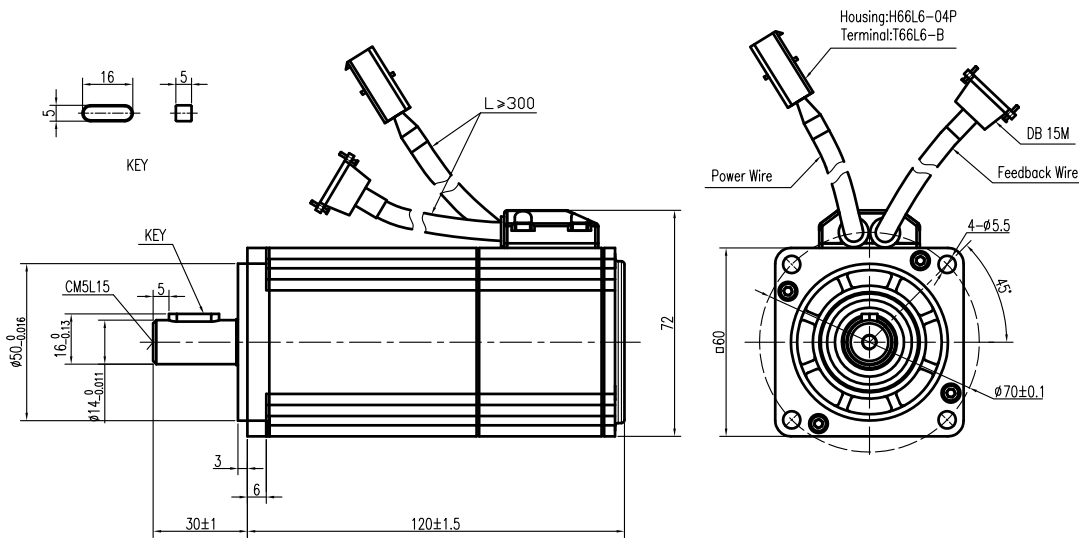
Connector Detail (Power Wire)  
Power Wire Cable diameter 6.5mm

PIN	FUNCTION	COLOR	WIRE GAGE	PIN	FUNCTION	COLOR	WIRE GAGE
1	DC +5V	RED	28AWG	9	W	GRAY/BLACK	28AWG
2	GND	BLACK		10	V	WHITE/BLACK	
3	Shield	Shield		11	/Z	YELLOW/BLACK	
4	U	BROWN/BLACK	12	/B	GREEN/BLACK		
5	/U	BROWN	13	/A	BLUE		
6	Z	YELLOW	14	/W	GRAY		
7	B	GREEN	15	/V	WHITE		
8	A	BLUE/BLACK					



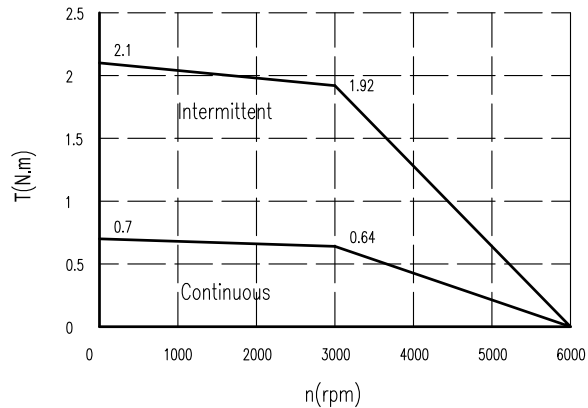
DB 15M

Connector Detail (Feedback Wire)  
Feedback Wire Cable diameter 6mm



Technical Data			
No. of poles	6		
DC Link Voltage $U_{dc}$ (DC Link)	300		
Rated Power $P_n$ (W)	200		
Rated Torque $T_n$ (N.m)	0.64		
Rated Speed $n_n$ (rpm)	3000		
Rated Current $I_n$ (A)	1.63		
Maximum torque $T_m$ (N.m)	1.92		
Maximum Current $I_m$ (A)	4.89		
Standstill torque $T_s$ (N.m)	0.7		
Standstill current $I_s$ (A)	1.79		
Resistance line-line $R_L$ ( $\Omega$ )	8		
Inductance line-line $L_L$ (mH)	16.3		
Electrical time constant $\tau_e$ (ms)	2.04		
Mechanical time constant $\tau_m$ (ms)	1.55		
Voltage constant $K_e$ (V/krpm)	29		
Torque constant $K_t$ (Nm/A)	0.48		
Rotor moment of inertia $J_m$ (Kg.cm <sup>2</sup> )	0.258		
Max. voltage rising $du/dt$ (KV/ $\mu$ s)	8		
Insulation class	F		
Max. radial force $F_r$ (N)	180		
Max. axial force $F_a$ (N)	90		
Weight(Kg)	1.3		
Feedback device	2500p/rev incremental encoder TS6014N115		
Temperature sensor	n.a.		
Cooling method	Totally enclosed non-ventilated		
protection level	IP65,shaft sealing IP54		
Environmental conditions	Temperature	-20~40 $\circ$ C	
	Humidity	Below 90%RH (No dewing)	
	Environment	Far away active gas,combustible gas,oil drop,ash.	
Rating conditions	Installation altitude	UP TO 1000m:rated power, above 1000m:1.5% power decreasing per 100m,max.4000m	
	Mounting	Aluminum flange 255x255x6mm	
	Temperature	60K housing temperature ring at 40 $\circ$ C ambient	
DESIGN	DATE	P/N.	307011254SS
WYD	19-1-30	TITLE	Outside Drawing
CHECK	19-1-30	USED ON	L60-203026ENL
APPD	19-1-30	DWG NO.	REV V2.0
SL	19-1-30	ELMO MOTOR	
FIRST ANGLE PROJECTION	SCALE	SHEET OF	

Performance Curve



**Elmo** DC BRUSHLESS MOTOR  
L60-203026ENL

W	200	V	300
A	1.63	Nm	0.64
RPM	3000	Ins	F IP65

MADE for Elmo by Kinavo CHINA  
S/N: 307011254KYDDNNNN E505281

REV	Description of Change
(b)	Add the wires gage for all wires Add the cable diameter to all cables Add the sign of against knock lable
(1.3)	Rated Current ,Maximum Current, Standstill Current has been changed
V2.0B	Change in DC bus voltage

REV	ECN NO.	DRN	APP'D	DATE
UNLESS OTHERWISE SPECIFIED TOLERANCES:				
DECIMALS: .x ±0.5		ANGULAR: ±0°30'		
.xx ±0.25				
.xxx ±0.1				
UNIT: mm				
DO NOT SCALE DRAWING				