

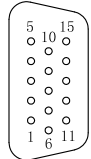
PIN	FUNCTION	COLOR	WIRE GAGE
1	MOTOR U	YELLOW	18AWG
2	MOTOR V	RED	
3	MOTOR W	BLACK	
4	MOTOR PE $\neq$	YELLOW/GREEN Shield	



Housing:H66L6-04P  
Terminal:T66L6-B

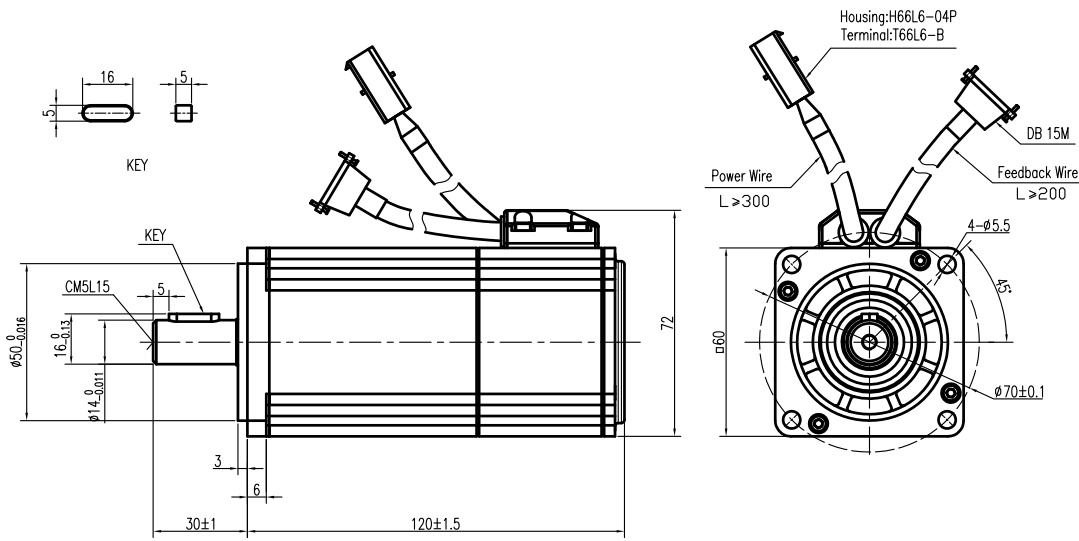
Connector Detail (Power Wire)  
Power Wire Cable diameter 7.5mm

PIN	FUNCTION	COLOR	WIRE GAGE	PIN	FUNCTION	COLOR	WIRE GAGE
1	VCC +5V	WHITE	28AWG	9	SD	BLUE	28AWG
2	GND	BLACK		10	NC	NC	
3	Shield	Shield	28AWG	11	NC	NC	
4	VB	ORANGE		12	NC	NC	
5	GND	BROWN		13	NC	NC	
6	NC	NC		14	/SD	PURPLE	28AWG
7	NC	NC		15	NC	NC	
8	NC	NC					

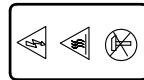
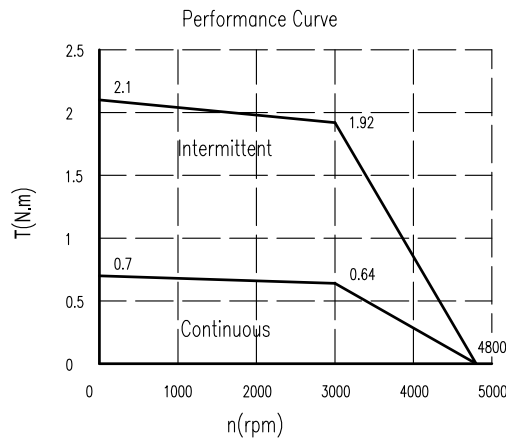


DB 15M

Connector Detail (Feedback Wire)  
Feedback Wire Cable diameter 6mm




Technical Data		
No. of poles	6	
DC Link Voltage $U_{dc}$ (DC Link)	48	
Rated Power $P_N$ (W)	200	
Rated Torque $T_N$ (N.m)	0.64	
Rated Speed $n_n$ (rpm)	3000	
Rated Current $I_n$ (A)	6.4 (V1.3)	
Maximum torque $T_m$ (N.m)	1.92	
Maximum Current $I_m$ (A)	19.2	
Standstill torque $T_s$ (N.m)	0.7	
Standstill current $I_s$ (A)	7.04	
Resistance line-line $R_L$ ( $\Omega$ )	0.41	
Inductance line-line $L_L$ (mH)	0.75	
Electrical time constant $\tau_e$ (ms)	1.83	
Mechanical time constant $\tau_m$ (ms)	1.49	
Voltage constant $K_e$ (V/krpm)	6.7	
Torque constant $K_t$ (Nm/A)	0.11	
Rotor moment of inertia $J_m$ (Kg.cm <sup>2</sup> )	0.258	
Max. voltage rising $du/dt$ (KV/ $\mu$ s)	8	
Insulation class	F	
Max. radial force $F_r$ (N)	180	
Max. axial force $F_a$ (N)	90	
Weight(Kg)	1.3	
Feed back device	MAR-H50A-HN20	
Temperature sensor	n.a.	
Cooling method	Totally enclosed non-ventilated	
protection level	IP65,shaft sealing IP54	
Environmental conditions	Temperature	-20 $\sim$ 40 $\circ$ C
	Humidity	Below 90%RH (No dewing)
	Environment	Far away active gas,combustible gas,oil drop,ash.
Rating conditions	Installation altitude	UP TO 1000m:rated power, above 1000m:1.5% power decreasing per 100m,max.4000m
	Mounting	Aluminum flange 255x255x6mm
	Temperature	60K housing temperature ring at 40 $\circ$ ambient



**Elmo** DC BRUSHLESS MOTOR  
L60-2030A6ANL

W 200	V 48	CE
A 6.4	Nm 0.64	
RPM 3000	Ins F IP65	

MADE for Elmo by Kinavo CHINA  
S/N: 307011309KYDDNNNN E505281



REV	Description of Change	REV	ECN NO.	DRN	APP'D	DATE	DESIGN	DATE	P/N.
(b)	Add the wires gage for all wires Add the cable diameter to all cables Add the sign of CE Add the sign of against knock lable						WYD	19-1-18	307011309SS
(V1.3)	Rated Current ,Maximum Current, Standstill Current has been changed						CHECK	19-1-18	Outside Drawing
							APPD	19-1-18	L60-2030A6ANL
							SL	19-1-18	REV V2.0
							FIRST ANGLE PROJECTION	SCALE	ELMO MOTOR
								SHEET OF	