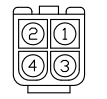


PIN	FUNCTION	WIRE GAGE
1	BRAKE (+) RED	24AWG
2	BRAKE (-) BLUE	



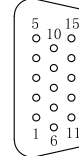
Connector Detail (Brake Wire)
Brake Wire Cable diameter 6mm

PIN	FUNCTION	WIRE GAGE
1	MOTOR U YELLOW	18AWG
2	MOTOR V RED	
3	MOTOR W BLACK	
4	MOTOR PE \perp YELLOW/GREEN Shield	

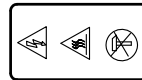
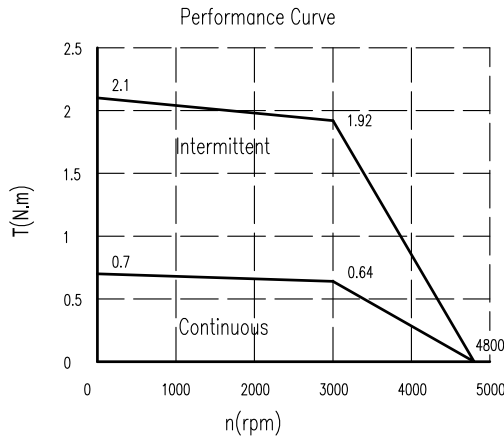
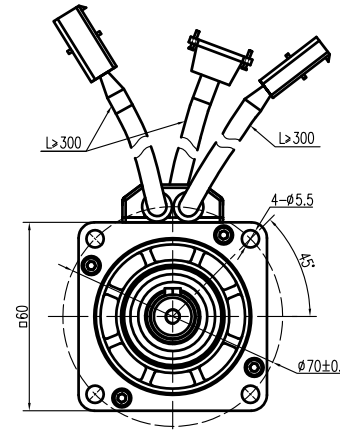
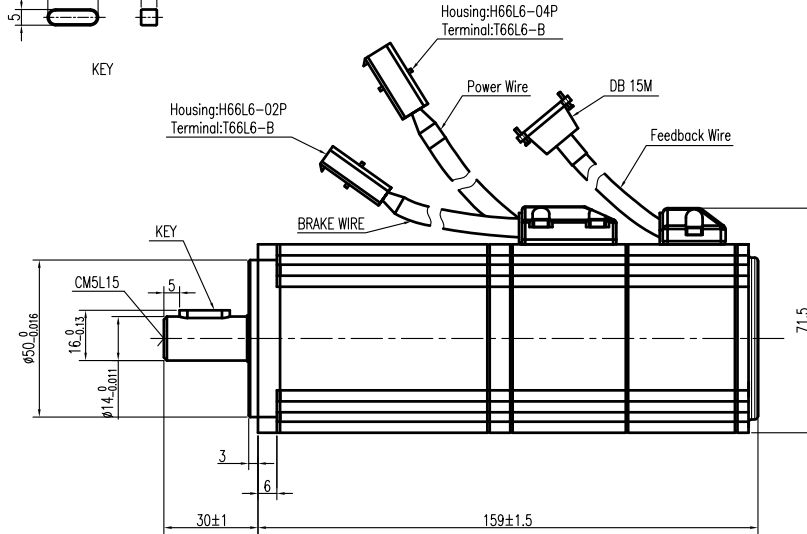
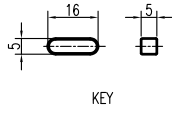


Connector Detail (Power Wire)
Power Wire Cable diameter 7.5mm

PIN	FUNCTION	COLOR	WIRE GAGE	PIN	FUNCTION	COLOR	WIRE GAGE
1	DC +5V	RED	28AWG	9	W	GRAY/BLACK	28AWG
2	GND	BLACK		10	V	WHITE/BLACK	
3	Shield	Shield	11	/Z	YELLOW/BLACK		
4	U	BROWN/BLACK	12	/B	GREEN/BLACK		
5	/U	BROWN	13	/A	BLUE		
6	Z	YELLOW	14	/W	GRAY		
7	B	GREEN	15	/V	WHITE		
8	A	BLUE/BLACK					



Connector Detail (Feedback Wire)
Feedback Wire Cable diameter 6mm



Elmo DC BRUSHLESS MOTOR
L60-2030AGEBL

W 200	V 48
A 6.4	Nm 0.64
RPM 3000	Ins F IP65

Holding brake: 24V_{DC} M=1.3Nm

MADE for Elmo by Kinavo CHINA
S/N: 307011260KYDDNNNN

CE, RoHS, UL, E505281

Brake Data	
Static friction	1.3N.m
Voltage	24VDC
Power	11.2w

Technical Data		
No. of poles	6	
DC Link Voltage U _{dc} (DC Link)	48	
Rated Power P _n (W)	200	
Rated Torque T _n (N.m)	0.64	
Rated Speed n _n (rpm)	3000	
Rated Current I _n (A)	6.4	
Maximum torque T _m (N.m)	1.92	
Maximum Current I _m (A)	19.2	
Standstill torque T _s (N.m)	0.7	
Standstill current I _s (A)	7.04	
Resistance line-line R _L (Ω)	0.41	
Inductance line-line L _L (mH)	0.75	
Electrical time constant τ_e (ms)	1.83	
Mechanical time constant τ_m (ms)	1.52	
Voltage constant K _e (V/krpm)	6.7	
Torque constant K _t (Nm/A)	0.11	
Rotor moment of inertia J _m (Kg.cm ²)	0.262	
Max. voltage rising du/dt(KV/ μ s)	8	
Insulation class	F	
Max. radial force Fr(N)	180	
Max. axial force Fa(N)	90	
Weight(Kg)	1.8	
Feedback device	2500p/rev incremental encoder TS6014N115	
Temperature sensor	n.a.	
Cooling method	Totally enclosed non-ventilated	
protection level	IP65,shaft sealing IP54	
Environmental conditions	Temperature	-20~40 \circ C
	Humidity	Below 90%RH (No dewing)
	Environment	Far away active gas,combustible gas,oil drop,ash.
Rating conditions	Installation altitude	UP TO 1000m:rated power, above 1000m:1.5% power decreasing per 100m,max.4000m
	Mounting	Aluminum flange 255x255x6mm
	Temperature	60K housing temperature ring at 40 \circ C ambient

REV	Description of Change	REV	ECN NO.	DRN	APP'D	DATE	DESIGN	DATE	P/N.
(b)	Change brake power from 7.2W to 11.2W						WYD	19-1-18	307011260SS
(c)	Add the wires gage for all wires Add the cable diameter to all cables Add the sign of CE Add the sign of aganist knock lable						CHECK	19-1-18	Outside Drawing
(v1)	Rated Current ,Maximum Current, Standstill Current has been changed						APPD	19-1-18	L60-2030AGEBL
							SL	19-1-18	REV v2.0



SCALE _____
SHEET _____ OF _____

ELMO MOTOR