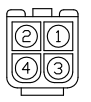


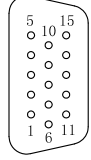
PIN	FUNCTION	COLOR	WIRE GAGE
1	MOTOR U	YELLOW	18AWG
2	MOTOR V	RED	
3	MOTOR W	BLACK	
4	MOTOR PE \neq	YELLOW/GREEN Shield	



Housing:H66L6-04P
Terminal:T66L6-B

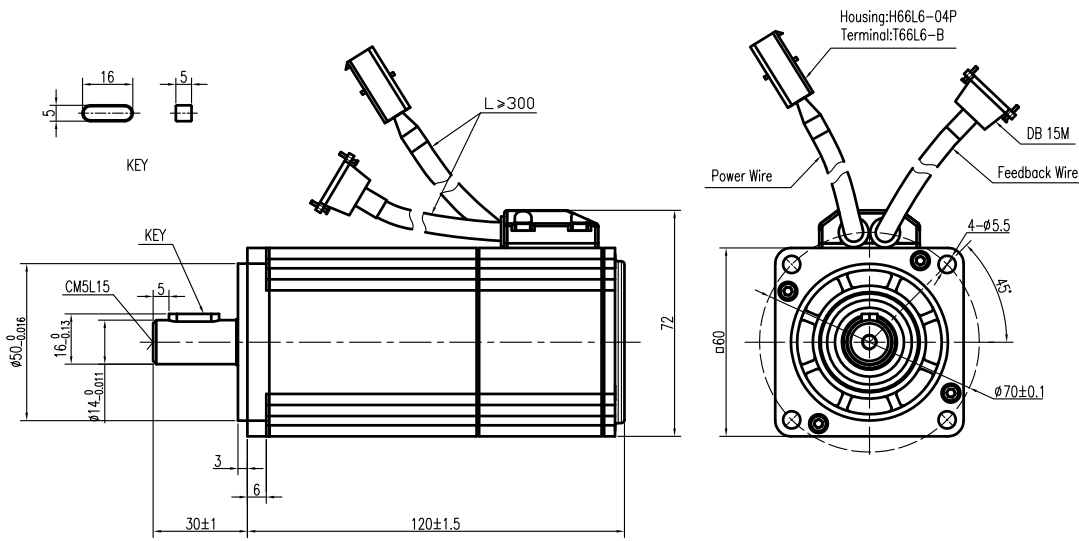
Connector Detail (Power Wire)
Power Wire Cable diameter 7.5mm

PIN	FUNCTION	COLOR	WIRE GAGE	PIN	FUNCTION	COLOR	WIRE GAGE
1	DC +5V	RED	28AWG	9	W	GRAY/BLACK	28AWG
2	GND	BLACK		10	V	WHITE/BLACK	
3	Shield	Shield		11	/Z	YELLOW/BLACK	
4	U	BROWN/BLACK	12	/B	GREEN/BLACK		
5	/U	BROWN	13	/A	BLUE		
6	Z	YELLOW	14	/W	GRAY		
7	B	GREEN	15	/V	WHITE		
8	A	BLUE/BLACK					

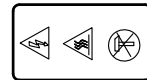
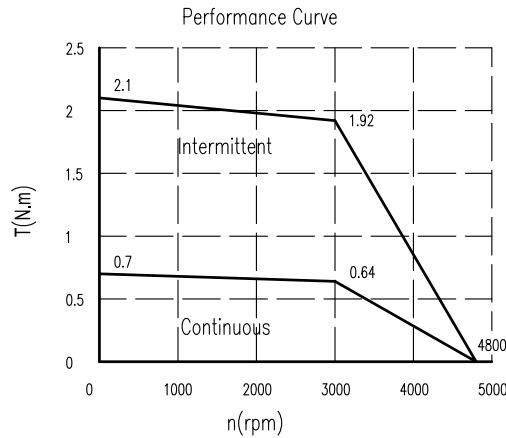


DB 15M

Connector Detail (Feedback Wire)
Feedback Wire Cable diameter 6mm



Technical Data		
No. of poles	6	
DC Link Voltage U_{dc} (DC Link)	48	
Rated Power P_n (W)	200	
Rated Torque T_n (N.m)	0.64	
Rated Speed n_n (rpm)	3000	
Rated Current I_n (A)	6.4	
Maximum torque T_m (N.m)	1.92	
Maximum Current I_m (A)	19.2	
Standstill torque T_s (N.m)	0.7	
Standstill current I_s (A)	7.04	
Resistance line-line R_L (Ω)	0.41	
Inductance line-line L_L (mH)	0.75	
Electrical time constant τ_e (ms)	1.83	
Mechanical time constant τ_m (ms)	1.49	
Voltage constant K_e (V/krpm)	6.7	
Torque constant K_t (Nm/A)	0.11	
Rotor moment of inertia J_m (Kg.cm ²)	0.258	
Max. voltage rising du/dt (KV/ μ s)	8	
Insulation class	F	
Max. radial force F_r (N)	180	
Max. axial force F_a (N)	90	
Weight(Kg)	1.3	
Feedback device	2500p/rev incremental encoder TS6014N115	
Temperature sensor	n.a.	
Cooling method	Totally enclosed non-ventilated	
protection level	IP65,shaft sealing IP54	
Environmental conditions	Temperature	-20 \sim 40 \circ C
	Humidity	Below 90%RH (No dewing)
	Environment	Far away active gas,combustible gas,oil drop,ash.
Rating conditions	Installation altitude	UP TO 1000m:rated power, above 1000m:1.5% power decreasing per 100m,max.4000m
	Mounting	Aluminum flange 255x255x6mm
	Temperature	60K housing temperature ring at 40 \circ C ambient




Elmo DC BRUSHLESS MOTOR
L60-2030A6ENL

W	200	V	48
A	6.4	Nm	0.64
RPM	3000	Ins	F IP65

MADE for Elmo by Kinavo CHINA
S/N: 307011255KYDDDDNNNN

CE
C
UL
E505281



REV	Description of Change	REV	ECN NO.	DRN	APP'D	DATE	DESIGN	DATE	P/N.
(b)	Add the wires gage for all wires Add the cable diameter to all cables Add the sign of CE Add the sign of against knock lable						WYD	19-1-18	307011255SS
(1.1)	Rated Current ,Maximum Current, Standstill Current has been changed						CHECK	19-1-18	Outside Drawing
							APPD	19-1-18	L60-2030A6ENL
							SL	19-1-18	REV V2.0
							SCALE		ELMO MOTOR
							SHEET	OF	