

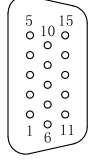
PIN	FUNCTION	COLOR	WIRE GAGE
1	MOTOR U	YELLOW	16AWG
2	MOTOR V	RED	
3	MOTOR W	BLACK	
4	MOTOR PE $\neq$	YELLOW/GREEN Shield	



Housing:H66L6-04P  
Terminal:T66L6-B

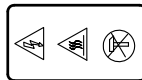
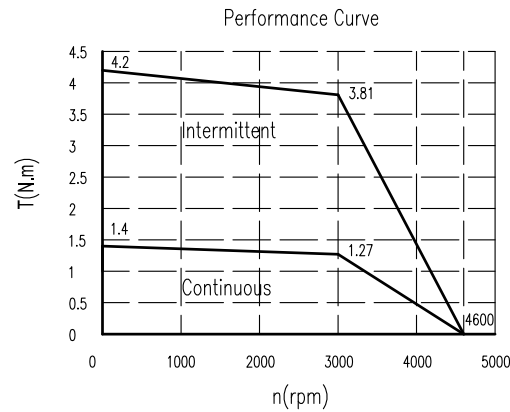
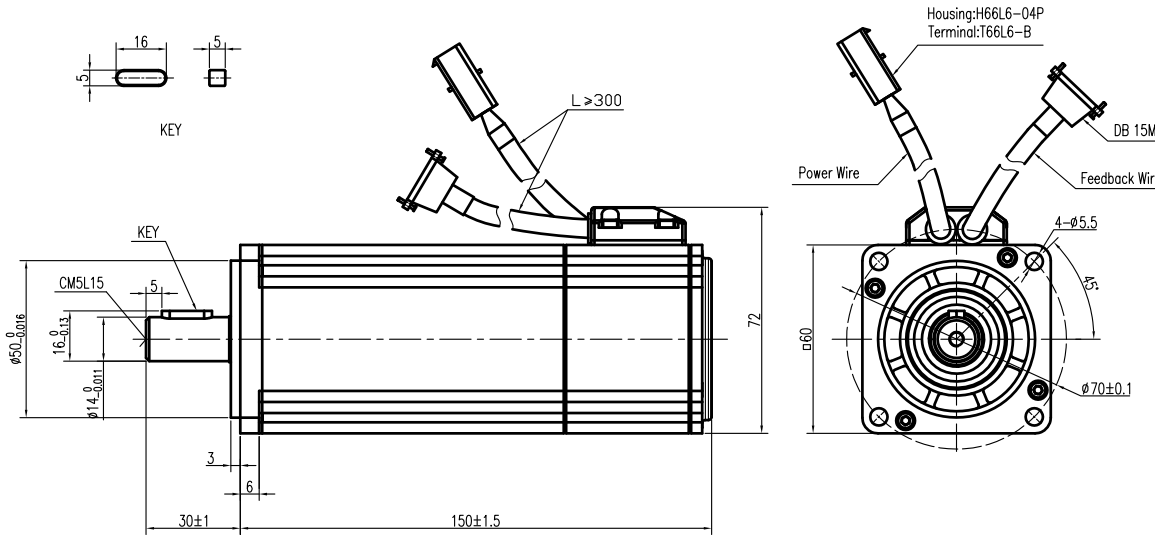
Connector Detail (Power Wire)  
Power Wire Cable diameter 8.1mm

PIN	FUNCTION	COLOR	WIRE GAGE	PIN	FUNCTION	COLOR	WIRE GAGE
1	DC +5V	RED	28AWG	9	W	GRAY/BLACK	28AWG
2	GND	BLACK		10	V	WHITE/BLACK	
3	Shield	Shield		11	/Z	YELLOW/BLACK	
4	U	BROWN/BLACK	12	/B	GREEN/BLACK		
5	/U	BROWN	13	/A	BLUE		
6	Z	YELLOW	14	/W	GRAY		
7	B	GREEN	15	/V	WHITE		
8	A	BLUE/BLACK					



DB 15M

Connector Detail (Feedback Wire)  
Feedback Wire Cable diameter 6mm



**Elmo** DC BRUSHLESS MOTOR  
L60-4030A6ENL

W 400	V 48	CE
A 12.1	Nm 1.27	
RPM 3000	Ins F	IP65

MADE for Elmo by Kinavo CHINA  
S/N: 3070112588YYDDNNNN  
E505281

Technical Data

No. of poles	6	
DC Link Voltage $U_{dc}$ (DC Link)	48	
Rated Power $P_n$ (W)	400	
Rated Torque $T_n$ (N.m)	1.27	
Rated Speed $n_n$ (rpm)	3000	
Rated Current $I_n$ (A)	12.1 (V1.3)	
Maximum torque $T_m$ (N.m)	3.81	
Maximum Current $I_m$ (A)	36.3	
Standstill torque $T_s$ (N.m)	1.4	
Standstill current $I_s$ (A)	13.3	
Resistance line-line $R_L$ ( $\Omega$ )	0.2	
Inductance line-line $L_L$ (mH)	0.4	
Electrical time constant $\tau_e$ (ms)	2	
Mechanical time constant $\tau_m$ (ms)	1.24	
Voltage constant $K_e$ (V/krpm)	7	
Torque constant $K_t$ (Nm/A)	0.116	
Rotor moment of inertia $J_m$ (Kg.cm <sup>2</sup> )	0.479	
Max. voltage rising $du/dt$ (KV/ $\mu$ s)	8	
Insulation class	F	
Max. radial force $F_r$ (N)	180	
Max. axial force $F_a$ (N)	90	
Weight(Kg)	1.8	
Feed back device	2500p/rev incremental encoder	
	TS6014N115	
Temperature sensor	n.a.	
Cooling method	Totally enclosed non-ventilated	
protection level	IP65,shaft sealing IP54	
Environmental conditions	Temperature	-20 $\sim$ 40 $\circ$ C
	Humidity	Below 90%RH (No dewing)
	Environment	Far away active gas,combustible gas,oil drop,ash.
Rating conditions	Installation altitude	UP TO 1000m:rated power, above 1000m:1.5% power decreasing per 100m,max.4000m
	Mounting	Aluminum flange 255x255x6mm
	Temperature	60K housing temperature ring at 40 $\circ$ ambient

REV	Description of Change	REV	ECN NO.	DRN	APP'D	DATE	DESIGN	DATE	P/N.
(b)	Add the wires gage for all wires Add the cable diameter to all cables Add the sign of CE Add the sign of against knock lable						WYD	19-1-18	307011258SS
(V1.3)	Rated Current ,Maximum Current, Standstill Current has been changed						CHECK	19-1-18	Outside Drawing
							APPD	19-1-18	L60-4030A6ENL
							SL	19-1-18	DWG NO.
									REV V2.0
									ELMO MOTOR

UNLESS OTHERWISE SPECIFIED TOLERANCES:  
DECIMALS: ANGULAR:  
.x  $\pm 0.5$   $\pm 0^{\circ}30'$   
.xx  $\pm 0.25$   
.xxx  $\pm 0.1$   
UNIT: mm  
DO NOT SCALE DRAWING

FIRST ANGLE PROJECTION

SCALE SHEET OF