

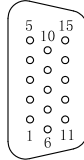
PIN	FUNCTION	COLOR	WIRE GAGE
1	MOTOR U	YELLOW	16AWG
2	MOTOR V	RED	
3	MOTOR W	BLACK	
4	MOTOR PE \neq	YELLOW/GREEN Shield	



Housing:H66L6-04P
Terminal:T66L6-B

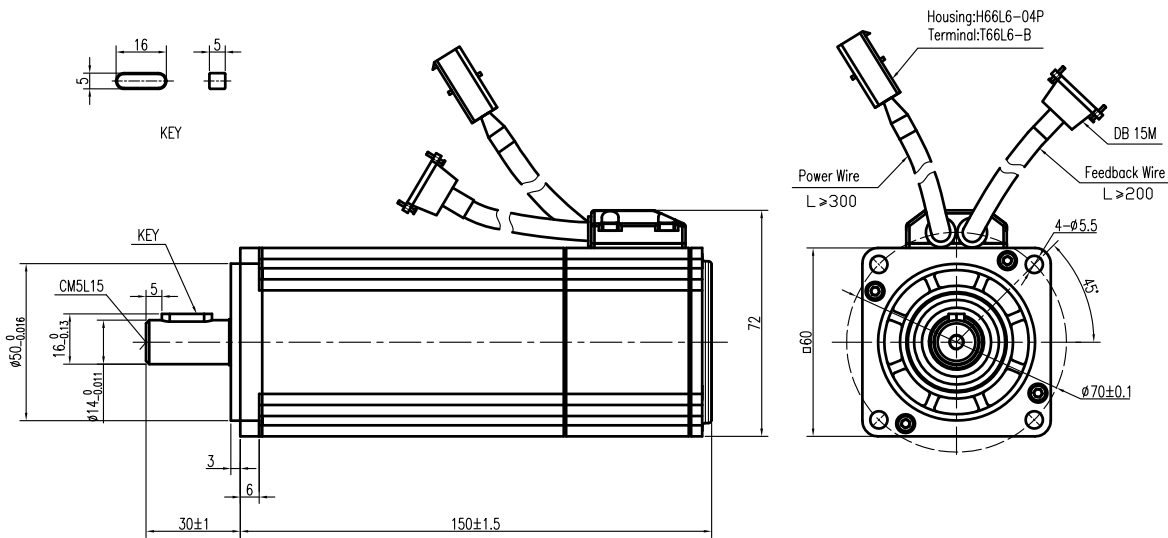
Connector Detail (Power Wire)
Power Wire Cable diameter 8.1mm

PIN	FUNCTION	COLOR	WIRE GAGE	PIN	FUNCTION	COLOR	WIRE GAGE
1	VCC +5V	WHITE	28AWG	9	SD	BLUE	28AWG
2	GND	BLACK		10	NC	NC	
3	Shield	Shield	28AWG	11	NC	NC	
4	VB	ORANGE		12	NC	NC	
5	GND	BROWN		13	NC	NC	
6	NC	NC		14	/SD	PURPLE	28AWG
7	NC	NC		15	NC	NC	
8	NC	NC					

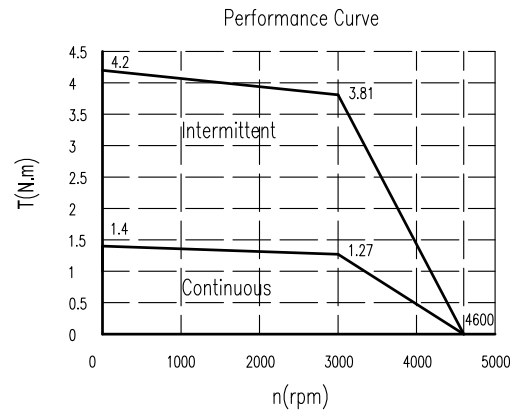


DB 15M

Connector Detail (Feedback Wire)
Feedback Wire Cable diameter 6mm




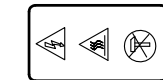
Technical Data		
No. of poles	6	
DC Link Voltage U_{dc} (DC Link)	48	
Rated Power P_N (W)	400	
Rated Torque T_N (N.m)	1.27	
Rated Speed n_n (rpm)	3000	
Rated Current I_n (A)	12.1 (V1)	
Maximum torque T_m (N.m)	3.81	
Maximum Current I_m (A)	36.3	
Standstill torque T_s (N.m)	1.4	
Standstill current I_s (A)	13.3	
Resistance line-line R_L (Ω)	0.2	
Inductance line-line L_L (mH)	0.4	
Electrical time constant τ_e (ms)	2	
Mechanical time constant τ_m (ms)	1.24	
Voltage constant K_e (V/krpm)	7	
Torque constant K_t (Nm/A)	0.116	
Rotor moment of inertia J_m (Kg.cm ²)	0.479	
Max. voltage rising du/dt (KV/ μ s)	8	
Insulation class	F	
Max. radial force F_r (N)	180	
Max. axial force F_a (N)	90	
Weight(Kg)	1.8	
Feed back device	MAR-H50A-HN20	
Temperature sensor	n.a.	
Cooling method	Totally enclosed non-ventilated	
protection level	IP65,shaft sealing IP54	
Environmental conditions	Temperature	-20 \sim 40 \circ C
	Humidity	Below 90%RH (No dewing)
	Environment	Far away active gas,combustible gas,oil drop,ash.
Rating conditions	Installation altitude	UP TO 1000m:rated power, above 1000m:1.5% power decreasing per 100m,max.4000m
	Mounting	Aluminum flange 255x255x6mm
	Temperature	60K housing temperature ring at 40 \circ ambient



Elmo DC BRUSHLESS MOTOR
L60-4030A6ANL

W 400	V 48	CE
A 12.1	Nm 1.27	
RPM 3000	Ins F IP65	

MADE for Elmo by Kinavo CHINA
S/N: 307011313KYDDNNNN E505281

REV	Description of Change	REV	ECN NO.	DRN	APP'D	DATE	DESIGN	DATE	P/N.
(b)	Add the wires gage for all wires Add the cable diameter to all cables Add the sign of CE Add the sign of against knock lable						WYD	19-1-18	307011313SS
(V1)	Rated Current ,Maximum Current, Standstill Current has been changed						CHECK	19-1-18	Outside Drawing
							APPD	19-1-18	L60-4030A6ANL
							SL	19-1-18	REV. 2.0
							FIRST ANGLE PROJECTION	SCALE	ELMO MOTOR
								SHEET OF	