

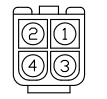
PIN	FUNCTION	WIRE GAGE
1	BRAKE (+) RED	24AWG
2	BRAKE (-) BLUE	



Housing:H66L6-02P
Terminal:T66L6-B

Connector Detail (Brake Wire)
Brake Wire Cable diameter 6mm

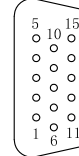
PIN	FUNCTION	WIRE GAGE
1	MOTOR U YELLOW	16AWG
2	MOTOR V RED	
3	MOTOR W BLACK	
4	MOTOR PE \perp YELLOW/GREEN Shield	



Housing:H66L6-04P
Terminal:T66L6-B

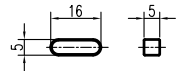
Connector Detail (Power Wire)
Power Wire Cable diameter 8.1mm

PIN	FUNCTION	COLOR	WIRE GAGE	PIN	FUNCTION	COLOR	WIRE GAGE
1	DC +5V	RED	28AWG	9	W	GRAY/BLACK	28AWG
2	GND	BLACK		10	V	WHITE/BLACK	
3	Shield	Shield	11	/Z	YELLOW/BLACK		
4	U	BROWN/BLACK	12	/B	GREEN/BLACK		
5	/U	BROWN	13	/A	BLUE		
6	Z	YELLOW	14	/W	GRAY		
7	B	GREEN	15	/V	WHITE		
8	A	BLUE/BLACK					

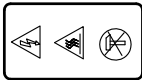
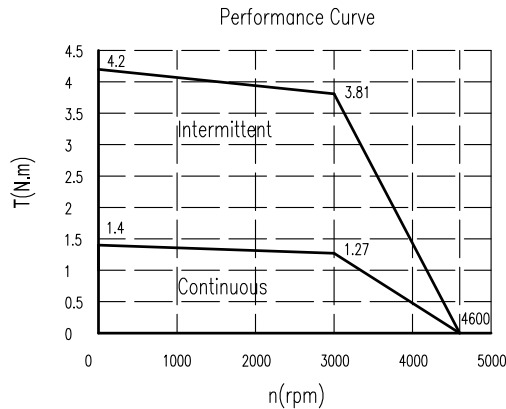
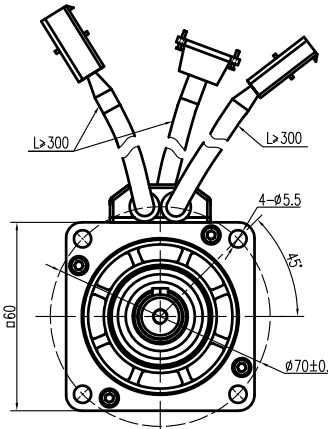
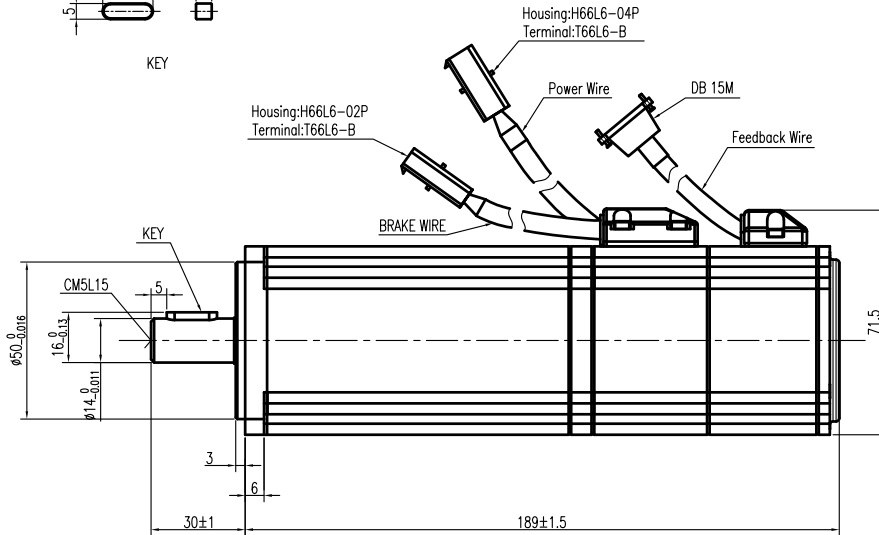


DB 15M

Connector Detail (Feedback Wire)
Feedback Wire Cable diameter 6mm



KEY



Elmo DC BRUSHLESS MOTOR
L60-4030A6EBL

W 400	V 48
A 12.1	Nm 1.27
RPM 3000	Ins F IP65

Holding brake: 24V_{DC} M=1.3Nm

MADE for Elmo by Kinavo CHINA
S/N: 307011264KYDDNNNN

CE, RoHS, E505281

REV	Description of Change	REV	ECN NO.	DRN	APP'D	DATE	DESIGN	DATE	P/N.
(b)	Change brake power from 7.2W to 11.2W						WYD	19-1-18	307011264SS
(c)	Add the wires gage for all wires Add the cable diameter to all cables Add the sign of CE Add the sign of aganist knock lable						CHECK	19-1-18	Outside Drawing
(V1)	Rated Current ,Maximum Current, Standstill Current has been changed						APPD	19-1-18	L60-4030A6EBL
							SL	19-1-18	REV V2.0
							SCALE		ELMO MOTOR
							SHEET	OF	

FIRST ANGLE PROJECTION



Brake Data

Static friction	1.3N.m
Voltage	24VDC
Power	11.2w

Tecnicl Data

No. of poles	6	
DC Link Voltage U _{DC} (DC Link)	48	
Rated Power P _N (W)	400	
Rated Torque T _N (N.m)	1.27	
Rated Speed n _N (rpm)	3000	
Rated Current I _N (A)	12.1 (V1)	
Maximum torque T _m (N.m)	3.81	
Maximum Current I _m (A)	36.3	
Standstill torque T _s (N.m)	1.4	
Standstill current I _s (A)	13.3	
Resistance line-line R _L (Ω)	0.2	
Inductance line-line L _L (mH)	0.4	
Electrical time constant τ_e (ms)	2	
Mechanical time constant τ_m (ms)	1.25	
Voltage constant K _e (V/rpm)	7	
Torque constant K _t (Nm/A)	0.116	
Rotor moment of inertia J _m (Kg.cm ²)	0.483	
Max. voltage rising du/dt(KV/ μ s)	8	
Insulation class	F	
Max. radial force Fr(N)	180	
Max. axial force Fa(N)	90	
Weight(Kg)	2.3	
Feedback device	2500p/rev incremental encoder TS6014N115	
Temperature sensor	n.a.	
Cooling method	Totally enclosed non-ventilated	
protection level	IP65,shaft sealing IP54	
Environmental conditions	Temperature	-20 \circ ~40 \circ
	Humidity	Below 90%RH (No dewing)
	Environment	Far away active gas,combustible gas,oil drop,ash.
Rating conditions	Installation altitude	UP TO 1000m:rated power, above 1000m:1.5% power decreasing per 100m,max.4000m
	Mounting	Aluminum flange 255x255x6mm
	Temperature	60K housing temperature ring at 40 \circ ambient