

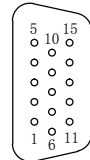
PIN	FUNCTION	COLOR	WIRE GAGE
1	MOTOR U	YELLOW	18AWG
2	MOTOR V	RED	
3	MOTOR W	BLACK	
4	MOTOR PE $\perp$	YELLOW/GREEN Shield	



Housing:H66L6-04P  
Terminal:166L6-B

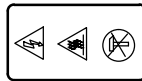
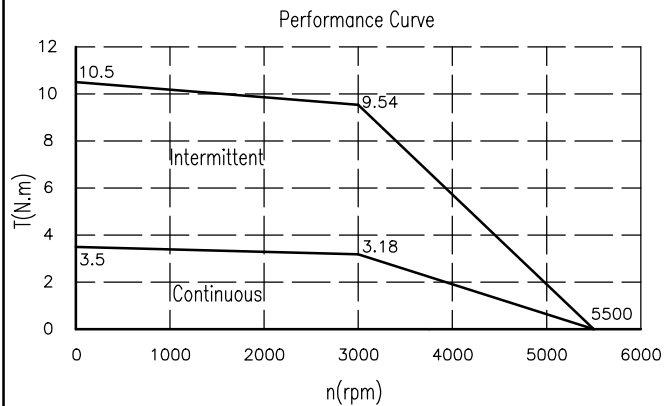
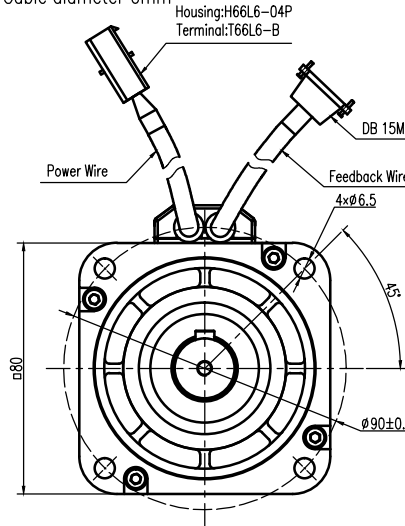
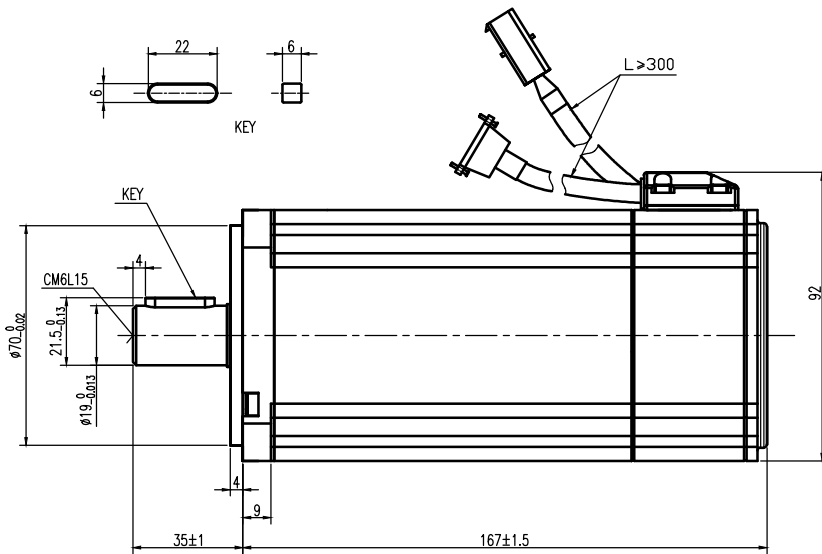
Connector Detail (Power Wire)  
Power Wire Cable diameter 7.5mm

PIN	FUNCTION	COLOR	WIRE GAGE	PIN	FUNCTION	COLOR	WIRE GAGE
1	DC +5V	RED	28AWG	9	W	GRAY/BLACK	28AWG
2	GND	BLACK		10	V	WHITE/BLACK	
3	Shield	Shield	11	/Z	YELLOW/BLACK		
4	U	BROWN/BLACK	12	/B	GREEN/BLACK		
5	/U	BROWN	13	/A	BLUE		
6	Z	YELLOW	14	/W	GRAY		
7	B	GREEN	15	/V	WHITE		
8	A	BLUE/BLACK					



DB 15M

Connector Detail (Feedback Wire)  
Feedback Wire Cable diameter 6mm



**Elmo** DC BRUSHLESS MOTOR  
L80-1003026ENL

W 1000	V 300
A 6.2	Nm 3.18
RPM 3000	Ins F IP65

MADE for Elmo by Kinavo CHINA  
S/N: 307011274KYDDNNNN

CE, UL, E505281

Technical Data		
No. of poles	6	
DC Link Voltage $U_{dc}$ (DC Link)	300	
Rated Power $P_n$ (W)	1000	
Rated Torque $T_n$ (N.m)	3.18	
Rated Speed $n_n$ (rpm)	3000	
Rated Current $I_n$ (A)	6.2	
Maximum torque $T_m$ (N.m)	9.54	
Maximum Current $I_m$ (A)	18.6	
Standstill torque $T_s$ (N.m)	3.5	
Standstill current $I_s$ (A)	6.82	
Resistance line-line $R_L$ ( $\Omega$ )	0.86	
Inductance line-line $L_L$ (mH)	4.5	
Electrical time constant $\tau_e$ (ms)	5.23	
Mechanical time constant $\tau_m$ (ms)	0.86	
Voltage constant $K_e$ (V/krpm)	34	
Torque constant $K_t$ (Nm/A)	0.562	
Rotor moment of inertia $J_m$ (Kg.cm <sup>2</sup> )	1.85	
Max. voltage rising $du/dt$ (KV/ $\mu$ s)	8	
Insulation class	F	
Max. radial force $F_r$ (N)	335	
Max. axial force $F_a$ (N)	167.5	
Weight(Kg)	3.9	
Feed back device	2500p/rev incremental encoder TS6014N115	
Temperature sensor	n.a.	
Cooling method	Totally enclosed non-ventilated	
protection level	IP65,shaft sealing IP54	
Environmental conditions	Temperature	-20 $\circ$ -40 $\circ$
	Humidity	Below 90%RH (No dewing)
	Environment	Far away active gas,combustible gas,oil drop,ash.
Rating conditions	Installation altitude	UP TO 1000m:rated power, above 1000m:1.5% power decreasing per 100m,max.4000m
	Mounting	Aluminum flange 255x255x6mm
	Temperature	60K housing temperature ring at 40 $\circ$ ambient

REV	Description of Change	REV	ECN NO.	DRN	APP'D	DATE	DESIGN	DATE	P/N.
V2.0	Change in DC bus voltage Add the wires gage for all wires Add the cable diameter to all cables Add the sign of CE Add the sign of aganist knock lable						V.JL	2019-1-30	307011274SS
							CHECK		TITLE
							ZZB	2019-1-30	Outside Drawing
							APPD		USED ON
							SL	2019-1-30	L80-1003026ENL
							SCALE		DWG NO.
							SHEET		REV
							OF		V2.0

FIRST ANGLE PROJECTION

ELMO MOTOR