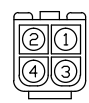


PIN	FUNCTION	WIRE GAGE
1	BRAKE (+) RED	24AWG
2	BRAKE (-) BLUE	



Connector Detail (Brake Wire)
Brake Wire Cable diameter 6mm

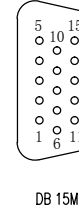
PIN	FUNCTION	WIRE GAGE
1	MOTOR U YELLOW	18AWG
2	MOTOR V RED	
3	MOTOR W BLACK	
4	MOTOR PE \oplus YELLOW/GREEN Shield	



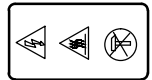
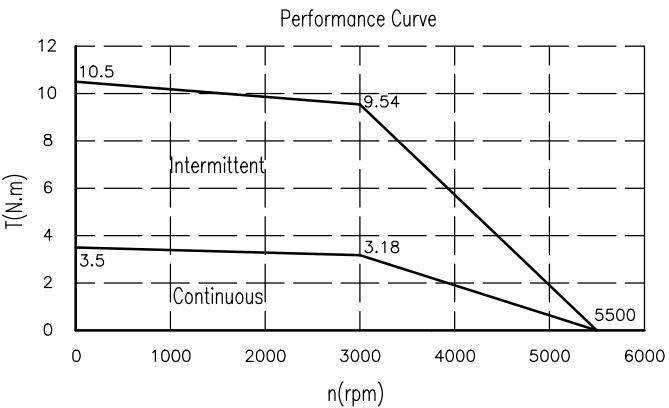
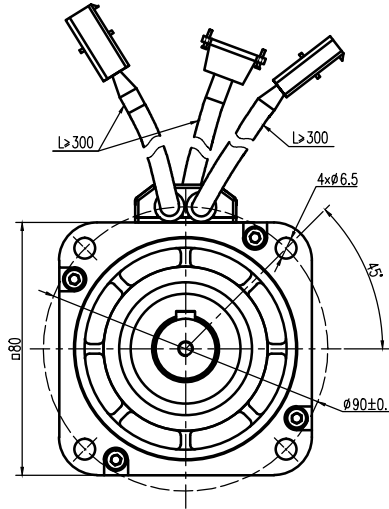
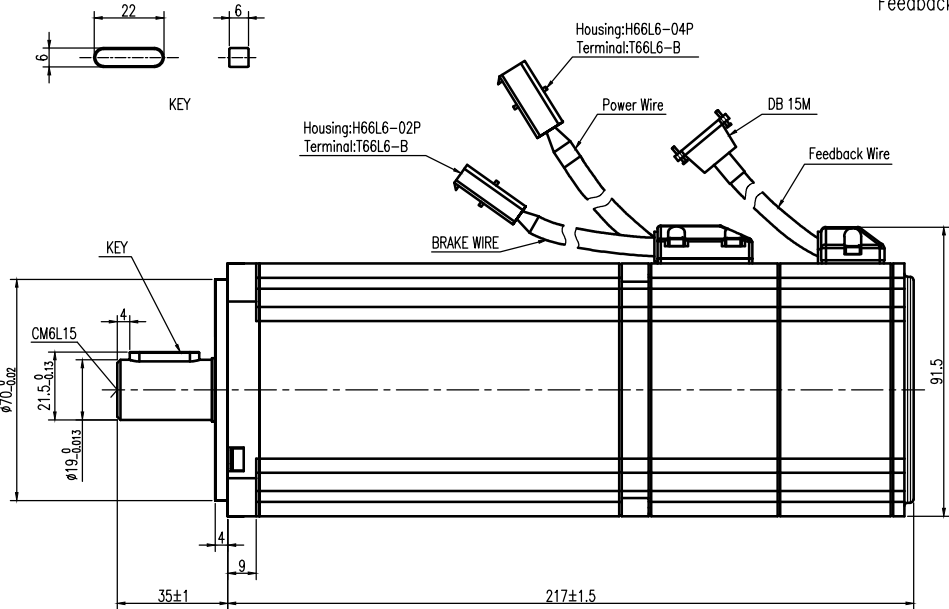
Housing:H66L6-04P
Terminal:T66L6-B

Connector Detail (Power Wire)
Power Wire Cable diameter 7.5mm

PIN	FUNCTION	COLOR	WIRE GAGE	PIN	FUNCTION	COLOR	WIRE GAGE
1	DC +5V	RED	28AWG	9	W	GRAY/BLACK	28AWG
2	GND	BLACK		10	V	WHITE/BLACK	
3	Shield	Shield	11	/Z	YELLOW/BLACK		
4	U	BROWN/BLACK	12	/B	GREEN/BLACK		
5	/U	BROWN	13	/A	BLUE		
6	Z	YELLOW	14	/W	GRAY		
7	B	GREEN	15	/V	WHITE		
8	A	BLUE/BLACK					



Connector Detail (Feedback Wire)
Feedback Wire Cable diameter 6mm



Elmo DC BRUSHLESS MOTOR
L80-1003026EBL

W	1000	V	300
A	6.2	Nm	3.18
RPM	3000	Ins	F
Holding brake: 24V _{DC}		M=3.2Nm	

S/N: 307011277KYYDDNNNN E505281

Brake Data	
Static friction	3.2N.m
Voltage	24VDC
Power	11.5w

Technical Data		
No. of poles	6	
DC Link Voltage U _{DC} (DC Link)	300	
Rated Power P _N (W)	1000	
Rated Torque T _N (N.m)	3.18	
Rated Speed n _m (rpm)	3000	
Rated Current I _N (A)	6.2	
Maximum torque T _m (N.m)	9.54	
Maximum Current I _m (A)	18.6	
Standstill torque T _s (N.m)	3.5	
Standstill current I _s (A)	6.82	
Resistance line-line R _L (Ω)	0.86	
Inductance line-line L _L (mH)	4.5	
Electrical time constant τ_e (ms)	5.23	
Mechanical time constant τ_m (ms)	0.86	
Voltage constant K _v (V/krpm)	34	
Torque constant K _t (Nm/A)	0.562	
Rotor moment of inertia J _m (Kg.cm ²)	1.862	
Max. voltage rising du/dt(KV/ μ s)	8	
Insulation class	F	
Max. radial force Fr(N)	335	
Max. axial force Fa(N)	167.5	
Weight(Kg)	4.6	
Feed back device	2500p/rev incremental encoder TS6014N115	
Temperature sensor	n.a.	
Cooling method	Totally enclosed non-ventilated	
protection level	IP65,shaft sealing IP54	
Environmental conditions	Temperature	-20 \circ C-40 \circ C
	Humidity	Below 90%RH (No dewing)
	Environment	Far away active gas,combustible gas,oil drop,ash.
Rating conditions	Installation altitude	UP TO 1000m:rated power, above 1000m:1.5% power decreasing per 100m,max.4000m
	Mounting	Aluminum flange 255x255x6mm
	Temperature	60K housing temperature ring at 40 \circ C ambient

REV	Description of Change	REV	ECN NO.	DRN	APP'D	DATE	DESIGN	DATE	P/N
(2)	Change in DC bus voltage Add the wires gage for all wires Add the cable diameter to all cables Add the sign of CE Add the sign of aganist knock lable						Y.JL	2019-1-30	307011277SS
			UNLESS OTHERWISE SPECIFIED TOLERANCES:		MATERIAL	CONTR.	CHECK		TITLE
			DECIMALS: .x ± 0.5				ZJB	2019-1-30	USED ON
			.xx ± 0.25				APPD		L80-1003026EBL
			.xxx ± 0.1				SL	2019-1-30	DWG NO.
			UNIT: mm						REV
			DO NOT SCALE DRAWING						V2.0
					FIRST ANGLE PROJECTION		SCALE		ELMO MOTOR
							SHEET	OF	