

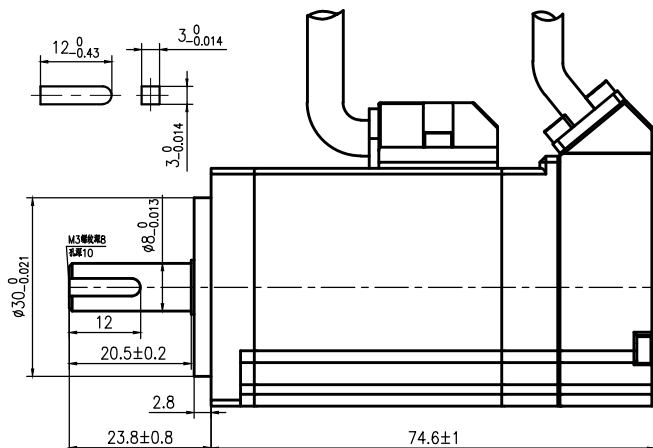
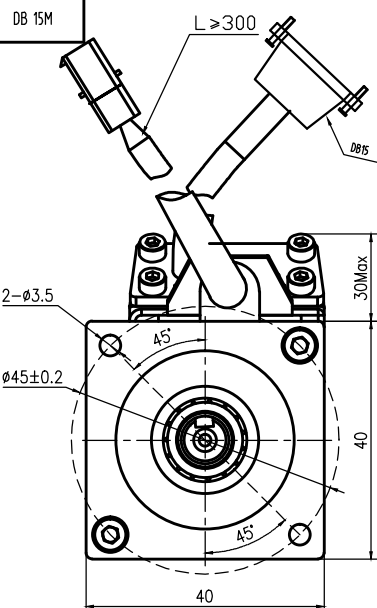
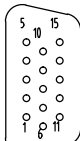
FUNCTION	COLOUR	
MOTOR U	YELLOW	AWG20
MOTOR V	RED	AWG20
MOTOR W BLACK	BLACK	AWG20
MOTOR PE	YELLOW/GREEN	AWG20



Housing:H66L6-04P
Terminal:T66L6-A

Connector Detail (Power Wire Cable diameter 6.5mm)

PIN	FUNCTION	COLOR		PIN	FUNCTION	COLOR	
1	VCC +5V	WHITE	AWG28	9	SD	BLUE	AWG28
2	GND	BLACK		10	NC	NC	
3	shield			11	NC	NC	
4	VB	ORANGE	AWG28	12	NC	NC	
5	GND	BROWN		13	NC	NC	
6	NC	NC		14	/SD	PURPLE	AWG28
7	NC	NC		15	NC	NC	
8	NC	NC					



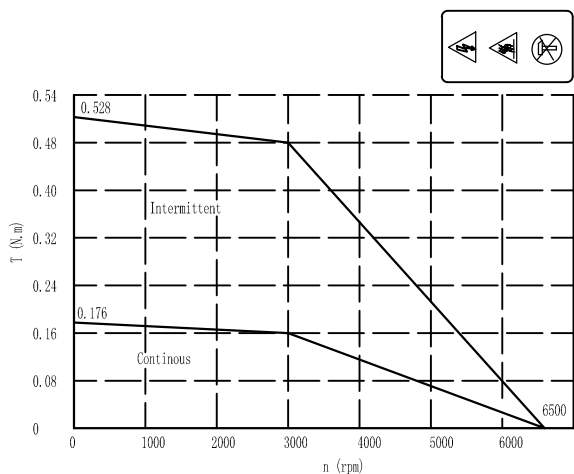
Technical Data			
No. of poles	10		
DC Link Voltage U_{dc} (DC Link)	300		
Rated Power P_n (W)	50		
Rated Torque T_n (N.m)	0.16		
Rated Speed n_n (rpm)	3000		
Rated Current I_n (A)	0.8		
Maximum torque T_m (N.m)	0.48		
Maximum Current I_m (A)	2.4		
Standstill torque T_s (N.m)	0.176		
Standstill current I_s (A)	0.88		
Resistance line-line R_L (Ω)	16.2		
Inductance line-line L_L (mH)	18.5		
Electrical time constant τ_e (ms)	1.14		
Mechanical time constant τ_m (ms)	0.94		
Voltage constant K_e (V/krpm)	14.0		
Torque constant K_t (Nm/A)	0.232		
Rotor moment of inertia J_m (Kg.cm ²)	0.018		
Max. voltage rising du/dt (KV/ μ s)	8		
Insulation class	F		
Max. radial force F_r (N)	120		
Max. axial force F_a (N)	60		
Weight(Kg)	0.4		
Feed back device	MAR-MX50AHN00		
Temperature sensor	n.a.		
Cooling method	Totally enclosed non-ventilated		
protection level	IP65,shaft sealing IP54		
Environmental conditions	Temperature	-20 $^{\circ}$ C~40 $^{\circ}$ C	
	Humidity	Below 90%RH (No dewing)	
	Environment	Far away active gas,combustible gas,oil drop,ash.	
Rating conditions	Installation altitude	UP TO 1000m-rated power, above 1000m:15% power decreasing per 100m,max.4000m	
	Mounting	Aluminum flange 175x200x10mm	
	Temperature	60K housing temperature ring at 40 $^{\circ}$ C ambient	
DESIGN	DATE	P.N.	307011207SS
ZZB	2019-01-14	TITLE	Outside Drawing
CHECK		USED ON	L40-530210ANL
YJL	2019-01-14	DWG NO.	
CONTR.		REV	V2.0
APPD		ELMO MOTOR	
S L	2019-01-14	SCALE	
FIRST ANGLE PROJECTION		SHEET	OF

DC BRUSHLESS MOTOR
L40-530210ANL

W	50	V	300
A	0.8	Nm	0.16
RPM	3000	Ins	F
		IP	65

MADE for Elmo by Kinavo CHINA

S/N: 307011207KYDDDDNNNN



REV	DESCRIPTION	REV	ECN NO.	DESCRIPTION	DRN	APP D	DATE	DESIGN	DATE	P.N.	307011207SS
								ZZB	2019-01-14	TITLE	Outside Drawing
								CHECK		USED ON	L40-530210ANL
								APPD		DWG NO.	
								S L	2019-01-14	REV	V2.0
								FIRST ANGLE PROJECTION		SCALE	
										SHEET	OF
										ELMO MOTOR	