

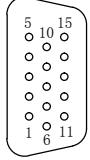
PIN	FUNCTION	COLOR	WIRE GAGE
1	MOTOR U	YELLOW	18AWG
2	MOTOR V	RED	
3	MOTOR W	BLACK	
4	MOTOR PE \perp	YELLOW/GREEN Shield	



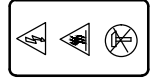
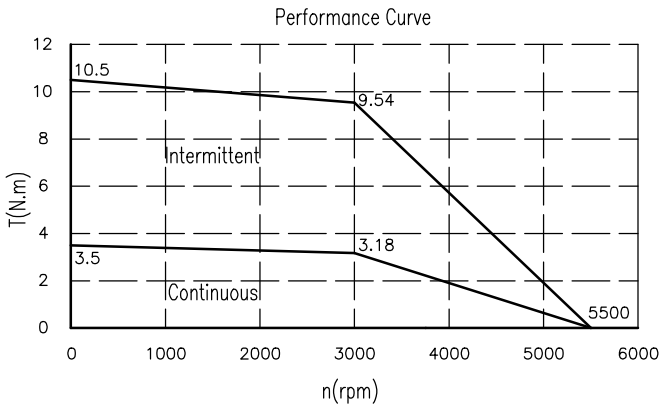
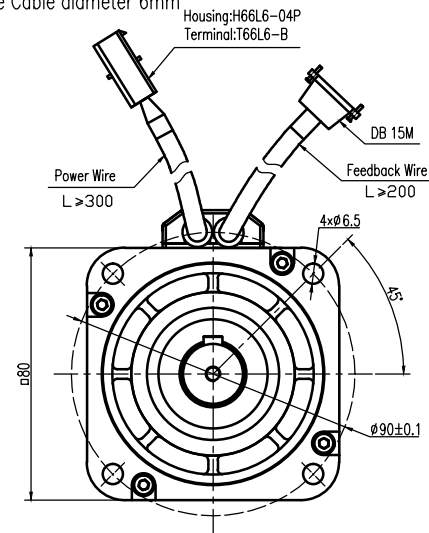
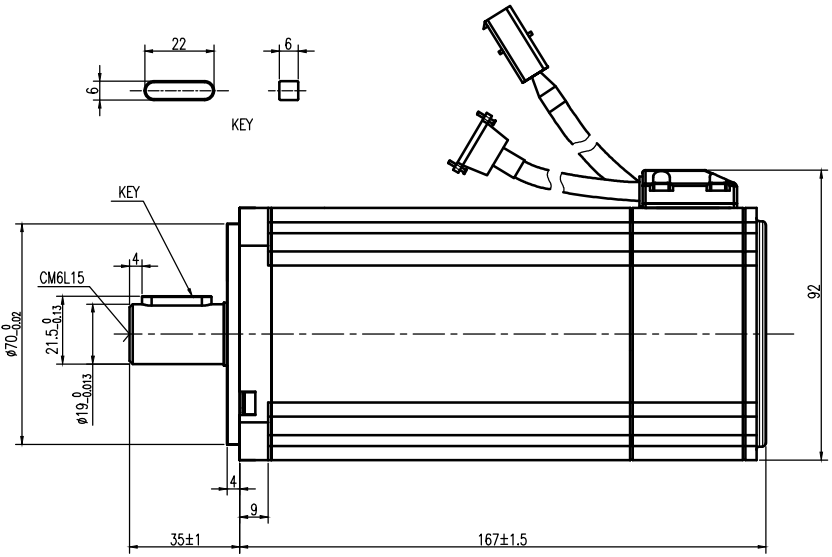
Housing:H66L6-04P
Terminal:T66L6-B

Connector Detail (Power Wire)
Power Wire Cable diameter 7.5mm

PIN	FUNCTION	COLOR	WIRE GAGE	PIN	FUNCTION	COLOR	WIRE GAGE
1	VCC +5V	WHITE	28AWG	9	SD	BLUE	28AWG
2	GND	BLACK		10	NC	NC	
3	Shield	Shield	28AWG	11	NC	NC	DB 15M
4	VB	ORANGE		12	NC	NC	
5	GND	BROWN		13	NC	NC	
6	NC	NC		14	/SD	PURPLE	
7	NC	NC		15	NC	NC	
8	NC	NC					



Connector Detail (Feedback Wire)
Feedback Wire Cable diameter 6mm



Elmo DC BRUSHLESS MOTOR
L80-1003026ANL

W	1000	V _{DC}	300
A	6.2	Nm	3.18
RPM	3000	Ins	F
		IP	IP65

MADE for Elmo by Kinavo CHINA
S/N: 307011334YYDDNNNN

CE

ENVIRONMENTAL PROTECTION

E505281

Technical Data		
No. of poles	6	
DC Link Voltage U _{DC} (DC Link)	300	
Rated Power P _N (W)	1000	
Rated Torque T _N (N.m)	3.18	
Rated Speed n _m (rpm)	3000	
Rated Current I _N (A)	6.2	
Maximum torque T _m (N.m)	9.54	
Maximum Current I _m (A)	18.6	
Standstill torque T _s (N.m)	3.5	
Standstill current I _s (A)	6.82	
Resistance line-line R _L (Ω)	0.86	
Inductance line-line L _L (mH)	4.5	
Electrical time constant τ_e (ms)	5.23	
Mechanical time constant τ_m (ms)	0.86	
Voltage constant K _v (V/krpm)	34	
Torque constant K _t (Nm/A)	0.562	
Rotor moment of inertia J _m (Kg.cm ²)	1.85	
Max. voltage rising du/dt(KV/ μ s)	8	
Insulation class	F	
Max. radial force F _r (N)	335	
Max. axial force F _a (N)	167.5	
Weight(Kg)	3.9	
Feed back device	MAR-H50A-HN20	
Temperature sensor	n.a.	
Cooling method	Totally enclosed non-ventilated	
protection level	IP65,shaft sealing IP54	
Environmental conditions	Temperature	-20 \circ C~40 \circ C
	Humidity	Below 90%RH (No dewing)
	Environment	Far away active gas,combustible gas,oil drop,ash.
Rating conditions	Installation altitude	UP TO 1000m:rated power, above 1000m:1.5% power decreasing per 100m,max.4000m
	Mounting	Aluminum flange 255x255x6mm
	Temperature	60K housing temperature ring at 40 \circ C ambient

REV	Description of Change	REV	ECN NO.	DRN	APP'D	DATE	DESIGN	DATE	P/N.
V2.0	Change in DC bus voltage Add the wires gage for all wires Add the cable diameter to all cables Add the sign of CE Add the sign of against knock lable						Y.JL	2019-1-30	307011334SS
		UNLESS OTHERWISE SPECIFIED TOLERANCES:		MATERIAL	CONTR.	CHECK			TITLE
		.x	\pm 0.5				ZJB	2019-1-30	USED ON
		.xx	\pm 0.25	ANGULAR:			APPD		L80-1003026ANL
		.xxx	\pm 0.1	\pm 0°30'			SL	2019-1-30	DWG NO.
			UNIT: mm						REV
			DO NOT SCALE DRAWING						V2.0
				FIRST ANGLE PROJECTION			SCALE		
							SHEET	OF	ELMO MOTOR